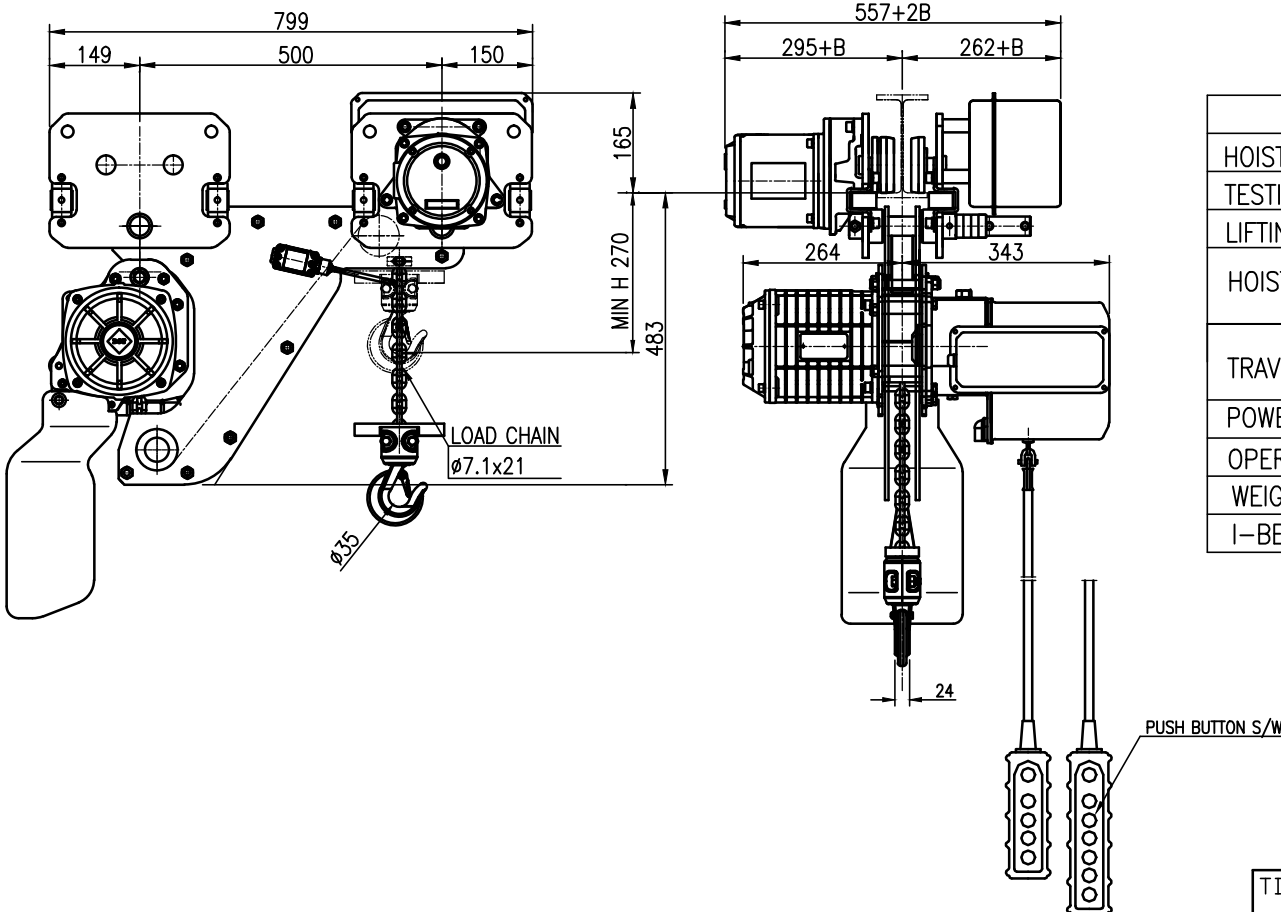


NO	DESCRIPTION	MAT'L	Q'TY	WT(kg)	REMARKS



SPECIFICATION		
HOISTING LOAD	1	TON
TESTING LOAD	1.25	TON
LIFTING HEIGHT	4	M
HOISTING	SPEED	2.7~8.2 M/MIN
	MOTOR	1.8 KW x 4P x 1 SET
TRAVERSING	SPEED	5.2~15.2 M/MIN
	MOTOR	0.4 KW x 6P x 1 SET
POWER SUPPLY	AC 220/380,440,480V 3 ϕ x 60 Hz	
OPERATING METHOD	P.B type ON . FL	
WEIGHT	134 KG	
I-BEAM SIZE	75-125	

TITLE EDSTHM-1S CHAIN HOIST				PROJECTION	
WORK NO		WORK NAME			
				SCALE	Q'TY
				1/1	1
DRAWN	CHECKED	REVIEWED	APPROVED	DRAWING NO	
H.J	-	LEE	Y.K	EDSHM-1S	
2021.02.26	-	2021.02.26	2021.02.26		
DAESAN INoTEC INC					

REV.NO	DATE	REVISION DESCRIPTION	DRAWN	CHECKED	APPROVED