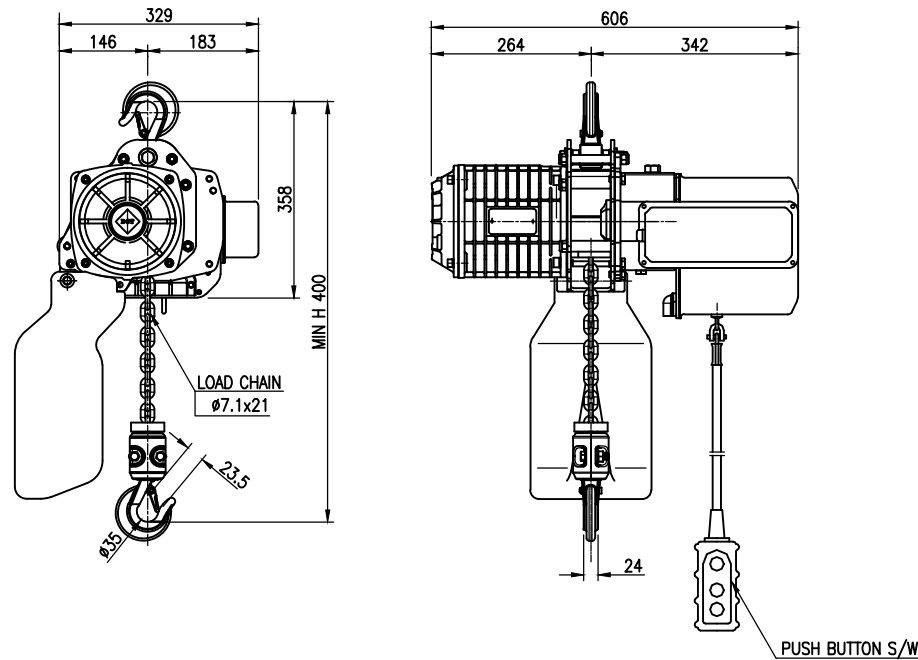


| NO | DESCRIPTION | MAT'L | Q'TY | WT(kg) | REMARKS |
|----|-------------|-------|------|--------|---------|
| | | | | | |



| SPECIFICATION | | |
|------------------|---------------------------------|---------------------|
| HOISTING LOAD | 1 | TON |
| TESTING LOAD | 1.25 | TON |
| LIFTING HEIGHT | 4 | M |
| HOISTING | SPEED | 2.7-8.2 M/MIN |
| | MOTOR | 1.8 KW x 4P x 1 SET |
| POWER SUPPLY | AC 220,380,440, x 3ø x 50/60 Hz | |
| OPERATING METHOD | P.B type ON . FL | |
| WEIGHT | 58 KG | |

| TITLE EDST-1S CHAIN HOIST | | | | PROJECTION | |
|---------------------------|---------|------------|------------|------------|------|
| WORK NO | | WORK NAME | | | |
| | | | | SCALE | Q'TY |
| | | | | 1/1 | 1 |
| DRAWN | CHECKED | REVIEWED | APPROVED | DRAWING NO | |
| YOO.M.R | - | LEE. H.J | Y. K | EDST10S01 | |
| 2013.08.30 | - | 2013.08.30 | 2013.08.30 | | |
| DAESAN INoTEC INC | | | | | |

| REV.NO | DATE | REVISION DESCRIPTION | DRAWN | CHECKED | APPROVED |
|--------|------|----------------------|-------|---------|----------|
| | | | | | |