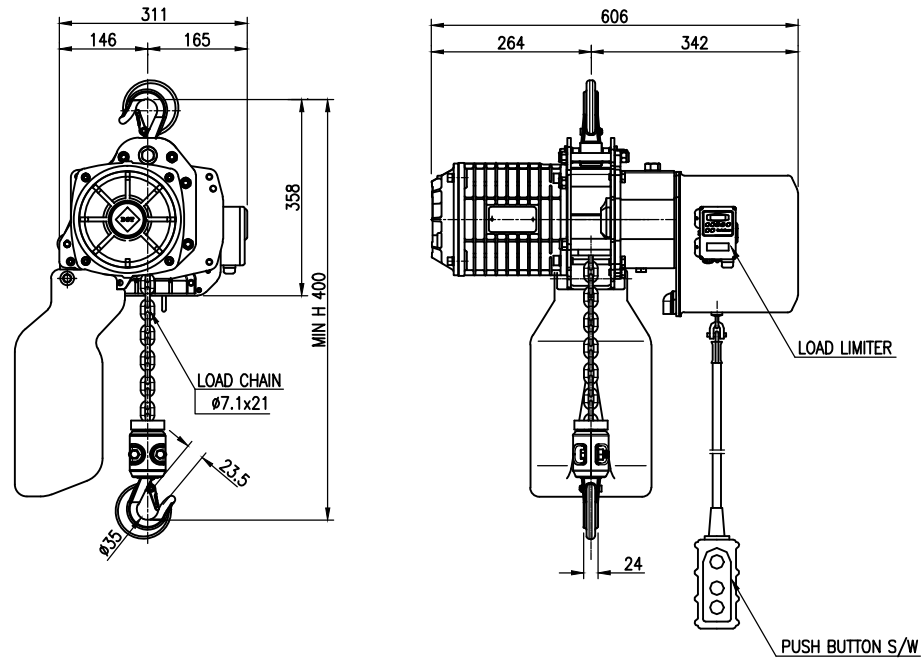


NO	DESCRIPTION	MAT'L	Q'TY	WT(kg)	REMARKS



SPECIFICATION		
HOISTING LOAD	1	TON
TESTING LOAD	1.25	TON
LIFTING HEIGHT	4	M
HOISTING	SPEED	1.7-5.2 M/MIN
	MOTOR	1.5 KW x 6P x1 SET
POWER SUPPLY	AC 220 x 1φ x 50/60 Hz	
OPERATING METHOD	P.B type ON . FL	
WEIGHT	64 KG	

TITLE EDSS-1S CHAIN HOIST				PROJECTION	
WORK NO		WORK NAME			
				SCALE	Q'TY
				1/1	1
DRAWN	CHECKED	REVIEWED	APPROVED	DRAWING NO	
YOO.M.R	-	LEE. H.J	Y. K	EDSS10S001	
2013.08.30	-	2013.08.30	2013.08.30		

REV.NO	DATE	REVISION DESCRIPTION	DRAWN	CHECKED	APPROVED

**DAESAN INoTEC INC**