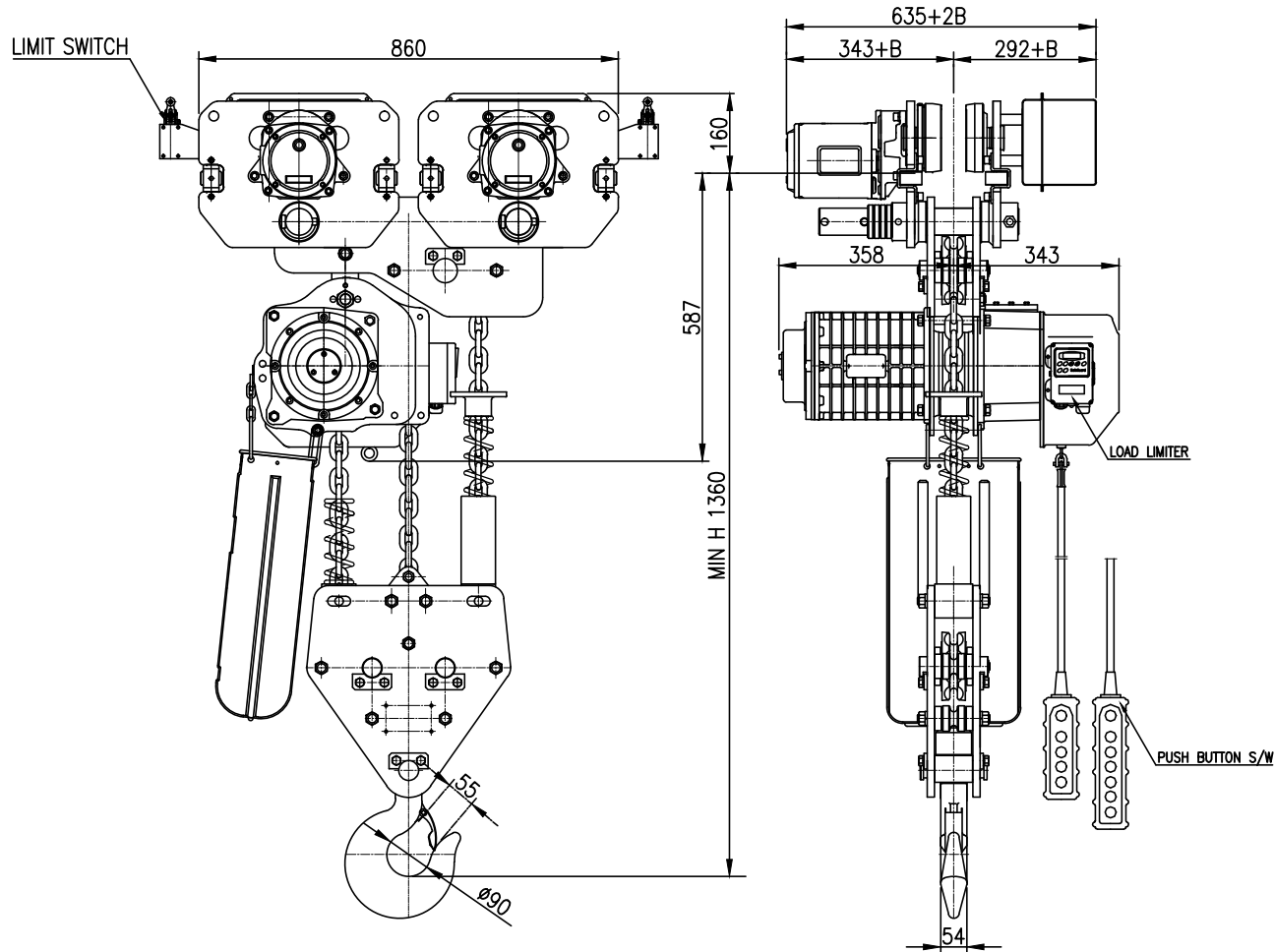


NO	DESCRIPTION	MAT'L	Q'TY	WT(kg)	REMARKS



SPECIFICATION		
HOISTING LOAD	7.5	TON
TESTING LOAD	9.375	TON
LIFTING HEIGHT	5	M
HOISTING	SPEED	0.9-2.1 M/MIN
	MOTOR	3.5KW x 4P x 1 SET
TRAVERSING	SPEED	5.2-15.2 M/MIN
	MOTOR	0.75 KW x 6P x 2 SET
POWER SUPPLY	AC 220 V x 3φ x 60 Hz	
OPERATING METHOD	P.B type ON . FL	
I-BEAM SIZE	125 - 175	
LOAD CHAIN FALL	3	
WEIGHT	524 KG	

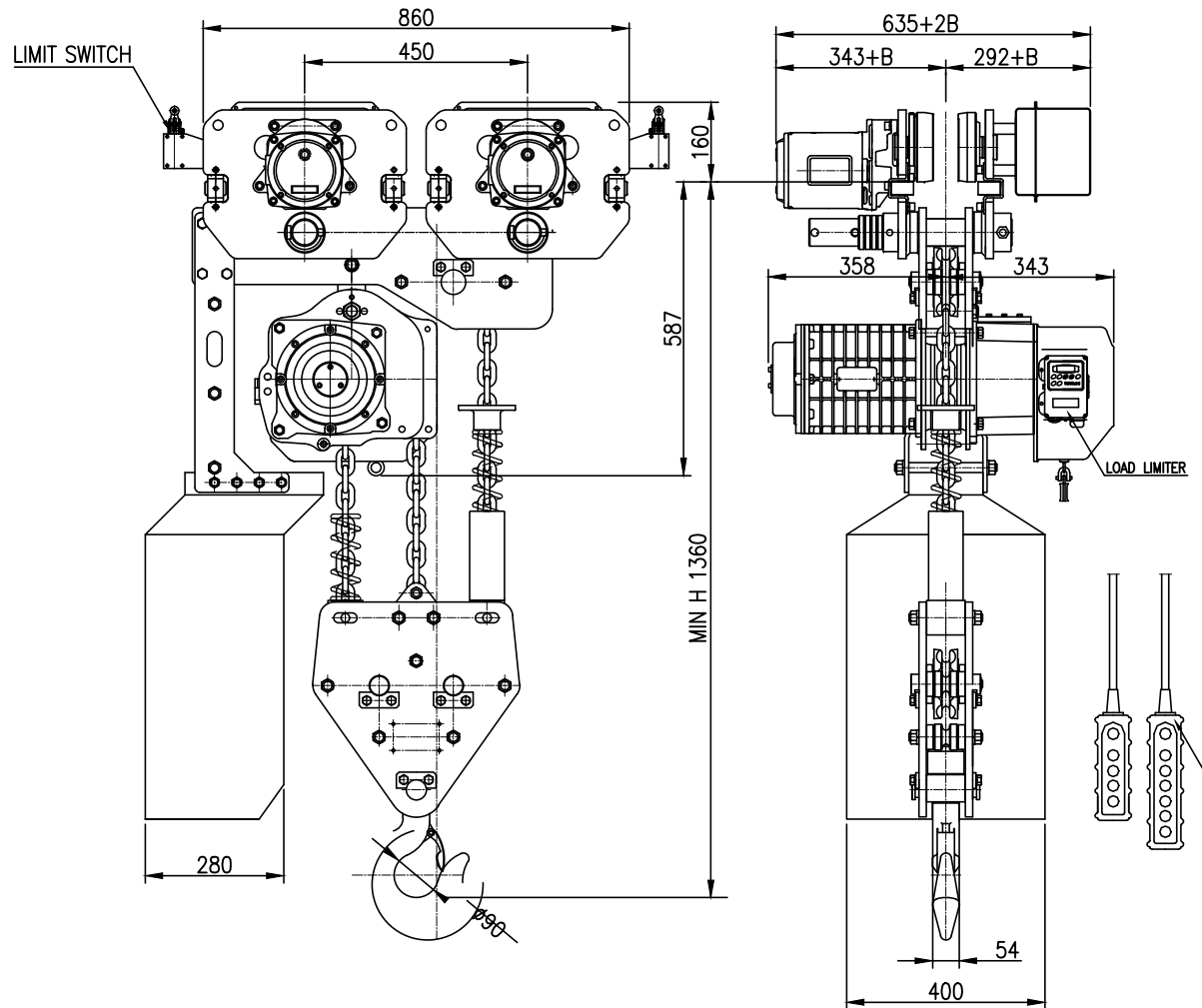
- * β 는 BEAM 변동값임
- * ROLLER DIA : ø140
- * LIMIT SWITCH : OPTION
- * 본 도면은 1-BEAM 125MM 기준임.

TITLE ED SM-7.5TON CHAIN HOIST				PROJECTION	
WORK NO	WORK NAME				
ASSEMBLY DWG					
				1/1	1
DRAWN	CHECKED	REVIEWED	APPROVED	DRAWING NO	
H.J		LEE	Y. K	EDSM75W01	
2020.09.14		2020.09.14	2020.09.14		

REV.NO	DATE	REVISION DESCRIPTION	DRAWN	CHECKED	APPROVED

DAESAN INoTEC INC

NO	DESCRIPTION	MAT'L	Q'TY	WT(kg)	REMARKS



SPECIFICATION		
HOISTING LOAD	7.5	TON
TESTING LOAD	9.375	TON
LIFTING HEIGHT	7~	M
HOISTING	SPEED	0.9-2.1 M/MIN
	MOTOR	3.5KW x 4P x 1 SET
TRAVERSING	SPEED	5.2-15.2 M/MIN
	MOTOR	0.75 KW x 6P x 2 SET
POWER SUPPLY	AC 220 V x 3φ x 60 Hz	
OPERATING METHOD	P.B type ON . FL	
I-BEAM SIZE	125 - 175	
LOAD CHAIN FALL	3	
WEIGHT	532 KG	

- * ROLLER DIA : $\phi 140$
- * LIMIT SWITCH : OPTION
- * 본 도면은 1-BEAM 125MM 기준임.
- * 양정 변화시 CHAIN BOX 크기가 변경될수 있음.

LIFT(M)	A	B	C
$\phi 11.2 \times 34$			
7 - 10	650	400	280
10 - 16	800	400	280
17 - 26	1000	400	280
27 - 35	1200	400	280

TITLE				EDSM-7.5TON CHAIN HOIST		PROJECTION	
WORK NO		WORK NAME					
				SCALE	Q'TY		
				1/10	1		
DRAWN	CHECKED	REVIEWED	APPROVED	DRAWING NO			
H.J		LEE	Y. K	EDSM75W01			
2020.09.14		2020.09.14	2020.09.14				

REV.NO	DATE	REVISION DESCRIPTION	DRAWN	CHECKED	APPROVED

DAESAN INoTEC INC