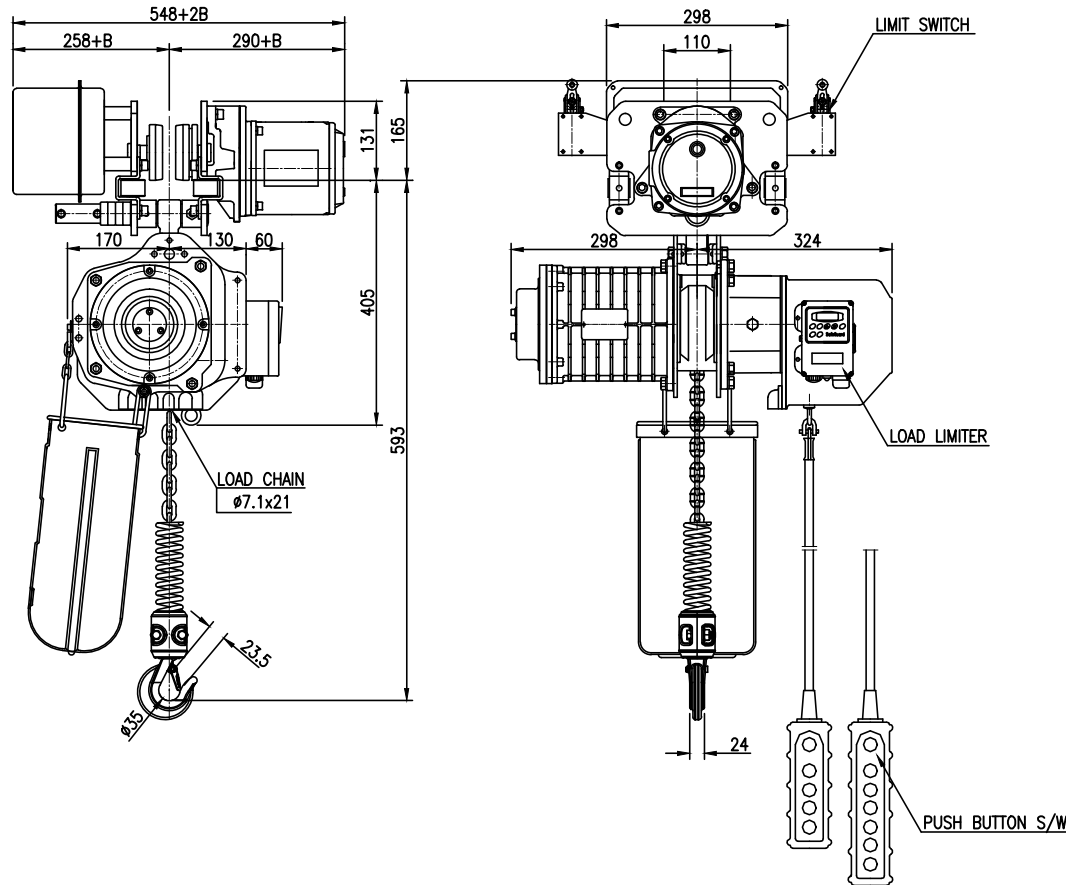


NO	DESCRIPTION	MAT'L	Q'TY	WT(kg)	REMARKS



SPECIFICATION		
HOISTING LOAD	1 TON	
TESTING LOAD	1.25 TON	
LIFTING HEIGHT	4 M	
HOISTING	SPEED	2.2~6.4 M/MIN
	MOTOR	1.8 KW x 4P x 1 SET
TRAVERSING	SPEED	5.2-15.2 M/MIN
	MOTOR	0.4 KW x 6P x 1 SET
POWER SUPPLY	AC 220, 380, 440 x 3Ø x 60 Hz	
OPERATING METHOD	P.B type ON . FL	
WEIGHT	109 KG	
I-BEAM SIZE	75-125	

NOTE

- * B 는 BEAM 변동 치수임.
- * ROLLER DIA : Ø95
- * LIMIT SWITCH : OPTION
- * 본 도면은 I-BEAM 75MM 기준임.

TITLE EDSM-1S CHAIN HOIST				PROJECTION	
WORK NO		WORK NAME			
				SCALE	Q'TY
				1/1	1
DRAWN	CHECKED	REVIEWED	APPROVED	DRAWING NO	
H.J	-	LEE. H.J	Y. K	EDSM01S01	
2020.09.14	-	2020.09.14	2020.09.14		

도면에 지시되지 않은 일반공차						
가공법	치수	3-6	6-30	30-120	120-315	315-1000
선	삭					
구멍간	거리	±0.1	±0.2	±0.3	±0.5	±0.8

REV.NO	DATE	REVISION DESCRIPTION	DRAWN	CHECKED	APPROVED

DAESAN INoTEC INC