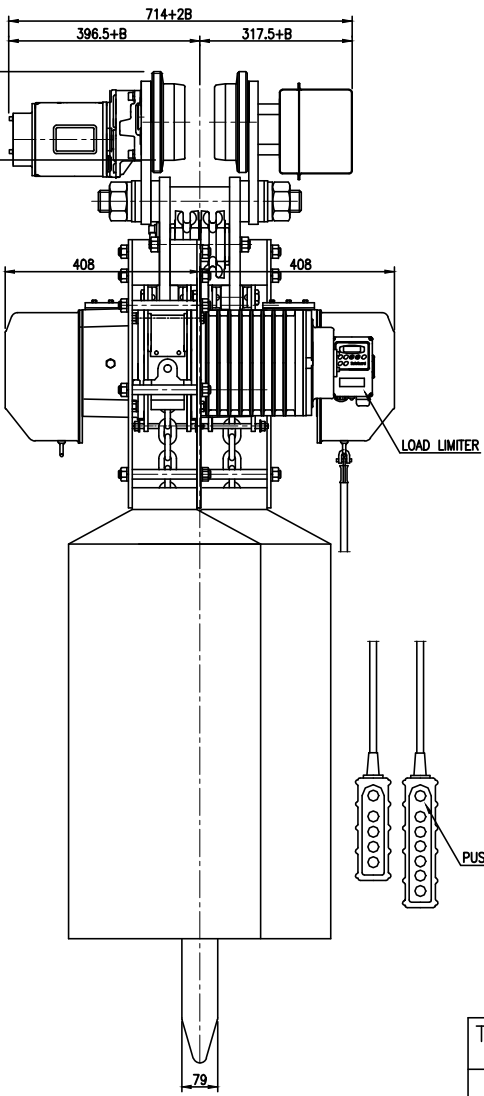
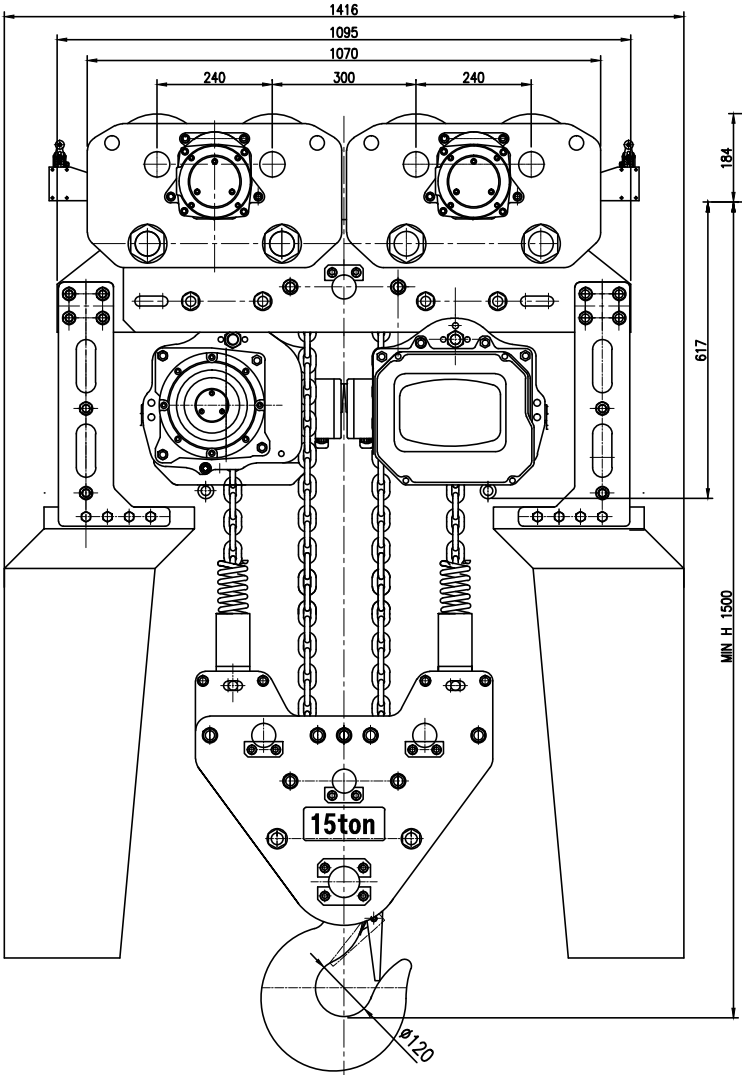
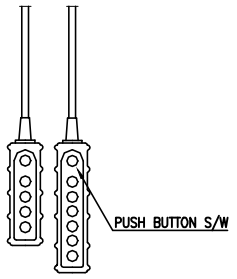


NO	DESCRIPTION	MAT'L	Q'TY	WT(kg)	REMARKS



SPECIFICATION		
HOISTING LOAD	15 TON	
TESTING LOAD	1875 TON	
LIFTING HEIGHT	5 M	
HOISTING	SPEED	0.9~2.1 M/MIN
	MOTOR	3.5KW x 4P x 2 SET
TRAVERSING	SPEED	3.3~10 M/MIN
	MOTOR	0.75 KW x 6P x 2 SET
POWER SUPPLY	AC 220,380,440,480V x 3φ x 60 Hz	
OPERATING METHOD	P.B type ON . FL	
WEIGHT	1074 KG	
I-BEAM WIDTH	150-190 MM	
MIN. RADIUS OF CURVATURE(M)	∞	



- \* B 는 BEAM 변동값임
- \* ROLLER DIA : φ160
- \* LIMIT SWITCH : OPTION
- \* 본 도면은 1-BEAM 150MM 기준임.

TITLE ED SM-15W CHAIN HOIST				PROJECTION	
WORK NO		WORK NAME			
				SCALE	Q'TY
				1/1	1
DRAWN	CHECKED	REVIEWED	APPROVED	DRAWING NO	
H.J	-	LEE	Y.K	EDSM15W02	
2020.09.14	-	2020.09.14	2020.09.14		

도면에 지시되지 않은 일반공차						
가공법	치수	3-6	6-30	30-120	120-315	315-1000
선	삭					
구멍간	거리	±0.1	±0.2	±0.3	±0.5	±0.8

REV.NO	DATE	REVISION DESCRIPTION	DRAWN	CHECKED	APPROVED

**DAESAN INoTEC INC**