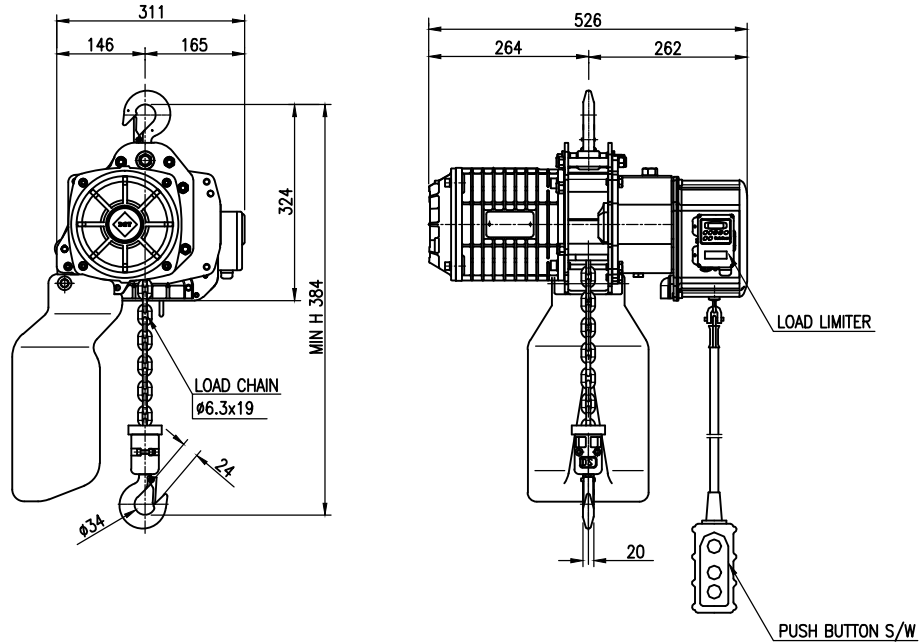


NO	DESCRIPTION	MAT'L	Q'TY	WT(kg)	REMARKS



SPECIFICATION		
HOISTING LOAD	0.5	TON
TESTING LOAD	0.625	TON
LIFTING HEIGHT	4	M
HOISTING	SPEED	6.7/8 M/MIN
	MOTOR	0.8 KW x 4P x 1 SET
POWER SUPPLY	AC 220/110 x 1φ x 50/60 Hz	
OPERATING METHOD	P.B type ON . FL	
WEIGHT	57 KG	

TITLE DSS-0.5S CHAIN HOIST				PROJECTION	
WORK NO		WORK NAME			
				SCALE	Q'TY
				1/1	1
DRAWN	CHECKED	REVIEWED	APPROVED	DRAWING NO	
YOO.M.R	-	LEE. H.J	Y.K	DSS005S001	
2012.07.11	-	2012.07.11	2012.07.11		
<b>DAESAN InoTEC INC</b>					

REV.NO	DATE	REVISION DESCRIPTION	DRAWN	CHECKED	APPROVED