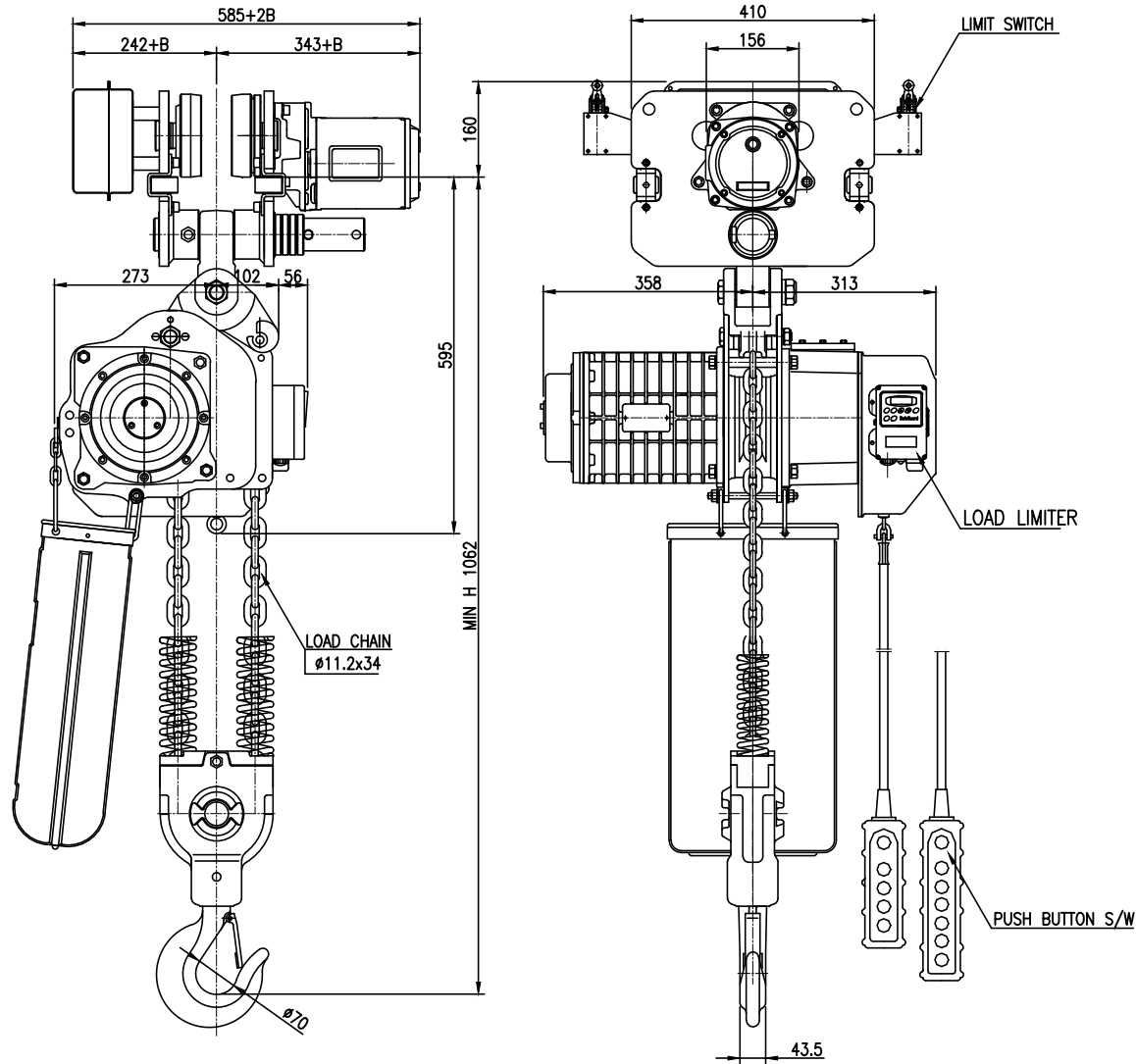


NO	DESCRIPTION	MAT'L	Q'TY	WT(kg)	REMARKS



SPECIFICATION			
HOISTING LOAD	5	TON	
TESTING LOAD	6.25	TON	
LIFTING HEIGHT	5	M	
HOISTING	SPEED	50/60Hz	2.75/3.25 M/MIN
	MOTOR	3.5KW x 4P x 1 SET	
TRAVERSING	SPEED	50/60Hz	11/14 M/MIN
	MOTOR	0.75 KW x 6P x 1 SET	
POWER SUPPLY	AC 220,380,440.x3ø x 60 Hz		
OPERATING METHOD	P.B type ON . FL		
WEIGHT	254 KG		
MINIMUM TURNING RADIUS	1800 MM		

- \* B 는 BEAM 변동값임
- \* ROLLER DIA : ø140
- \* LIMIT SWITCH : OPTION
- \* 본 도면은 1-BEAM 125MM 기준임.

TITLE DSM-5W CHAIN HOIST				PROJECTION	
WORK NO	WORK NAME				
				SCALE	Q'TY
				1/1	1
DRAWN	CHECKED	REVIEWED	APPROVED	DRAWING NO	
H.J		LEE	Y. K	DSM05W001	
2020.09.14		2020.09.14	2020.09.14		

도면에 지시되지 않은 일반공차						
가공별	치수	3-6	6-30	30-120	120-315	315-1000
선	삭					
구멍간	거리	±0.1	±0.2	±0.3	±0.5	±0.8

REV.NO	DATE	REVISION DESCRIPTION	DRAWN	CHECKED	APPROVED

**DAESAN INoTEC INC**