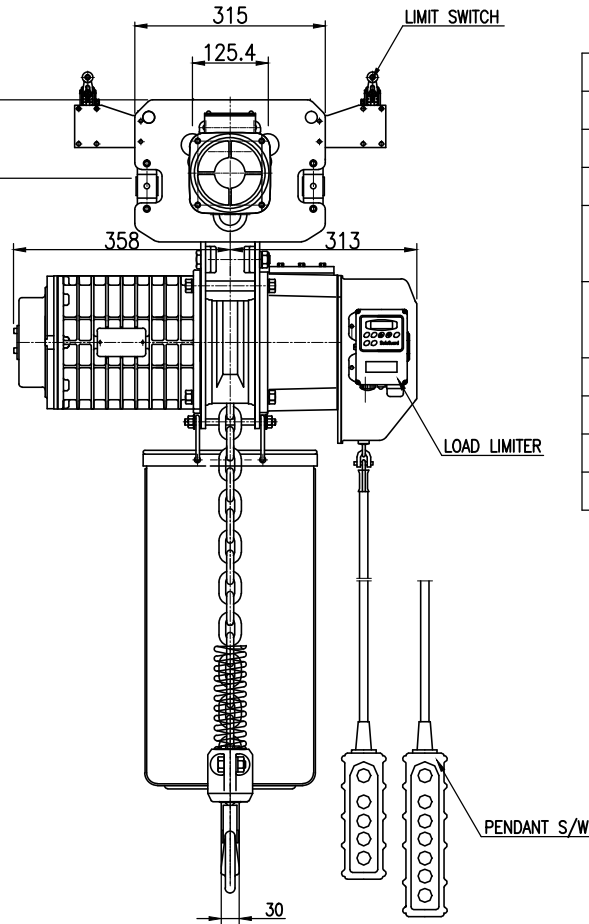
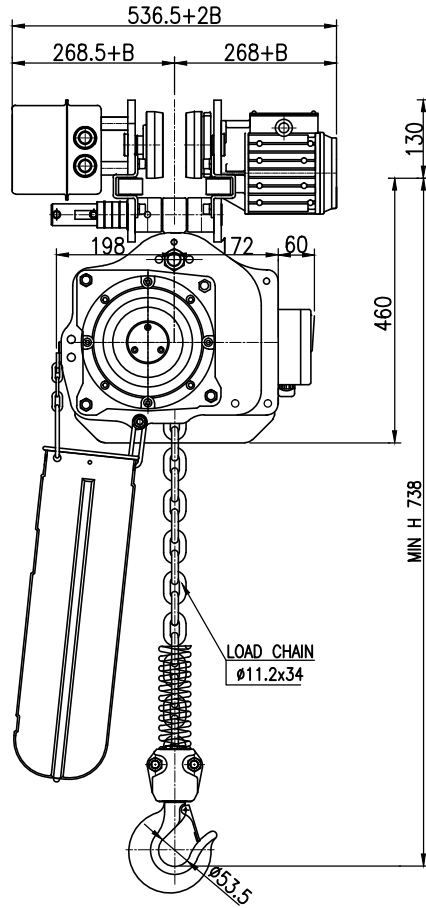


NO	DESCRIPTION	MAT'L	Q'TY	WT(kg)	REMARKS



SPECIFICATION			
HOISTING LOAD	2	TON	
TESTING LOAD	2.5	TON	
LIFTING HEIGHT	4	M	
HOISTING	SPEED	50/60Hz	6.7/8.1 M/MIN
	MOTOR	3.5/2.3 KW x 4/6P x 1 SET	
TRAVERSING	SPEED	50/60Hz	12/15 M/MIN
	MOTOR	0.4 KW x 6P x 1 SET	
POWER SUPPLY	AC 220,380,440. x 3φ x 60 Hz		
OPERATING METHOD	P.B type ON . FL		
WEIGHT	169 KG		
I-BEAM SIZE	100-150 MM		

NOTE

- \* β는 BEAM 변동 치수임.
- \* ROLLER DIA : φ110
- \* LIMIT SWITCH : OPTION
- \* 본 도면은 I-BEAM 100MM 기준임.

TITLE DSM-2S CHAIN HOIST				PROJECTION	
WORK NO		WORK NAME			
				SCALE	Q'TY
				1/1	1
DRAWN	CHECKED	REVIEWED	APPROVED	CODE NO	
H.J	-	LEE. H.J	Y. K	DSM02S001	
2021.02.24	-	2021.02.24	2021.02.24		
<b>DAESAN INoTEC INC</b>					

도면에 지시되지 않은 일반공차						
가공법	치수	3-6	6-30	30-120	120-315	315-1000
선	삭					
구멍간	거리	±0.1	±0.2	±0.3	±0.5	±0.8

REV.NO	DATE	REVISION DESCRIPTION	DRAWN	CHECKED	APPROVED