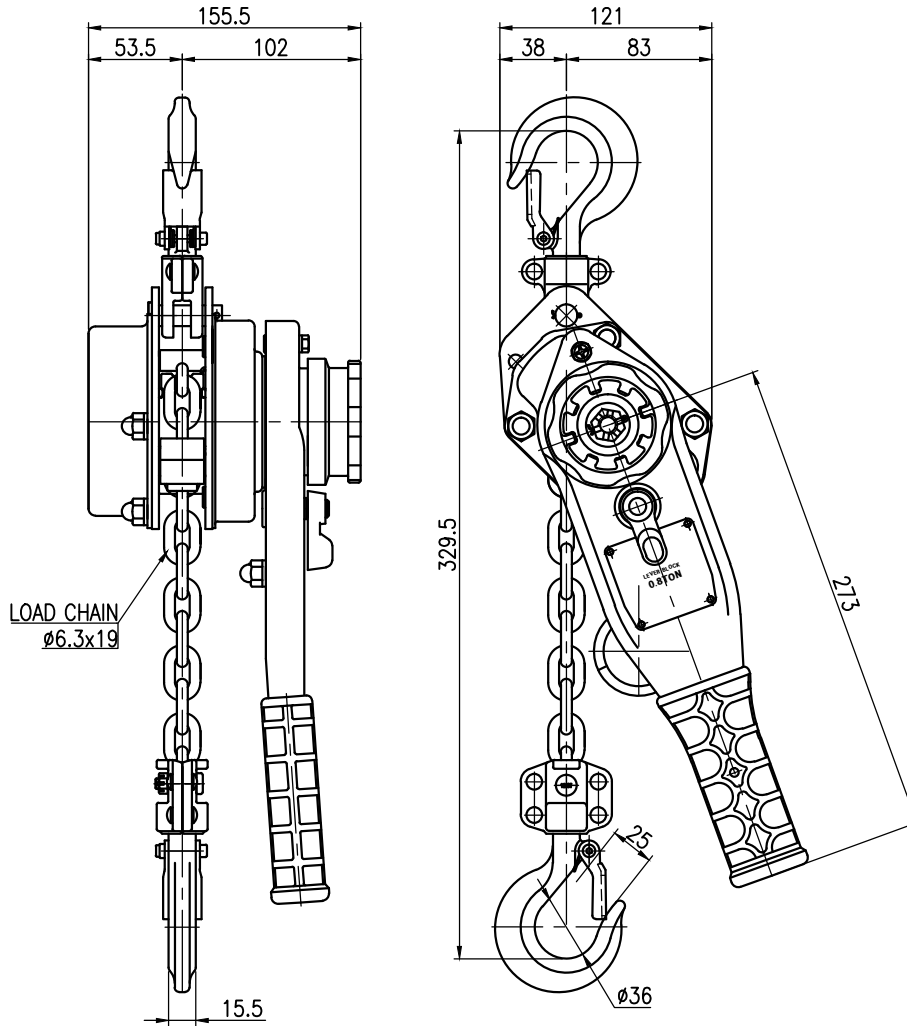


| NO | DESCRIPTION | SIZE | MAT'L | Q'TY | WT(kg) | REMARKS |
|----|-------------|------|-------|------|--------|---------|
|    |             |      |       |      |        |         |



| SPECIFICATION  |         |
|----------------|---------|
| HOISTING LOAD  | 0.8 TON |
| TESTING LOAD   | 1 TON   |
| LIFTING HEIGHT | 1.5 M   |
| HOISTING       | MANUAL  |
| WEIGHT         | 6.5 kg  |
| LOAD CHAIN     | Ø6.3x19 |

| TITLE                    |           |          |          | PROJECTION |      |
|--------------------------|-----------|----------|----------|------------|------|
| NDM – 0.8T LEVER BLOCK   |           |          |          |            |      |
| WORK NO                  | WORK NAME |          |          | SCALE      | Q'TY |
|                          |           |          |          | 1 : 2      | 1    |
| DRAWN                    | CHECKED   | REVIEWED | APPROVED | DRAWING NO |      |
| M.R                      | H.J       |          | Y.K      | NDS080000  |      |
| 16.03.30                 | 16.03.30  |          | 16.03.30 |            |      |
| <b>DAESAN INoTEC INC</b> |           |          |          |            |      |

| REV.NO | DATE | REVISION DESCRIPTION | DRAWN | CHECKED | APPROVED |
|--------|------|----------------------|-------|---------|----------|
|        |      |                      |       |         |          |