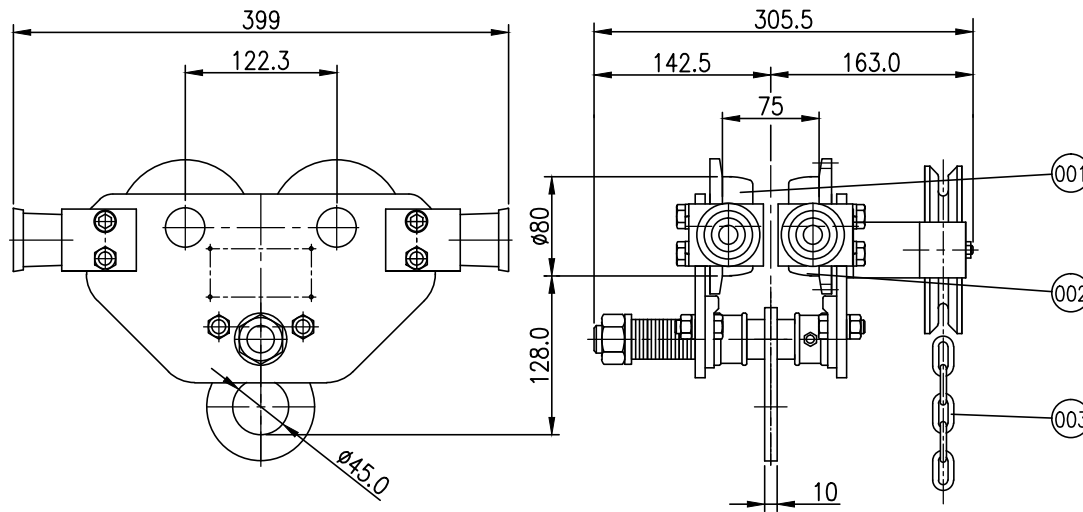


NO	DESCRIPTION	MAT'L	Q'TY	WT(kg)	REMARKS
001	PLAIN ROLLER	HBsC4	2		
002	GEAR ROLLER	HBsC4	2		
003	HAND CHAIN	SUS304	7M		



SPECIFICATION	
HOISTING LOAD	1 TON
TESTING LOAD	1.25 TON
TRAVERSING	MANUAL
WEIGHT	18 kg
I-BEAM SIZE	75-125

TITLE EX DG-1T GEAR TROLLEY				PROJECTION	
WORK NO		WORK NAME			
				SCALE	Q'TY
				1/2	1
DRAWN	CHECKED	REVIEWED	APPROVED	DRAWING NO	
YOO.M.R		LEE. H.J	Y.K	EXDG0101	
2013.07.23		2013.07.23	2013.07.23		
DAESAN INoTEC INC					

REV.NO	DATE	REVISION DESCRIPTION	DRAWN	CHECKED	APPROVED