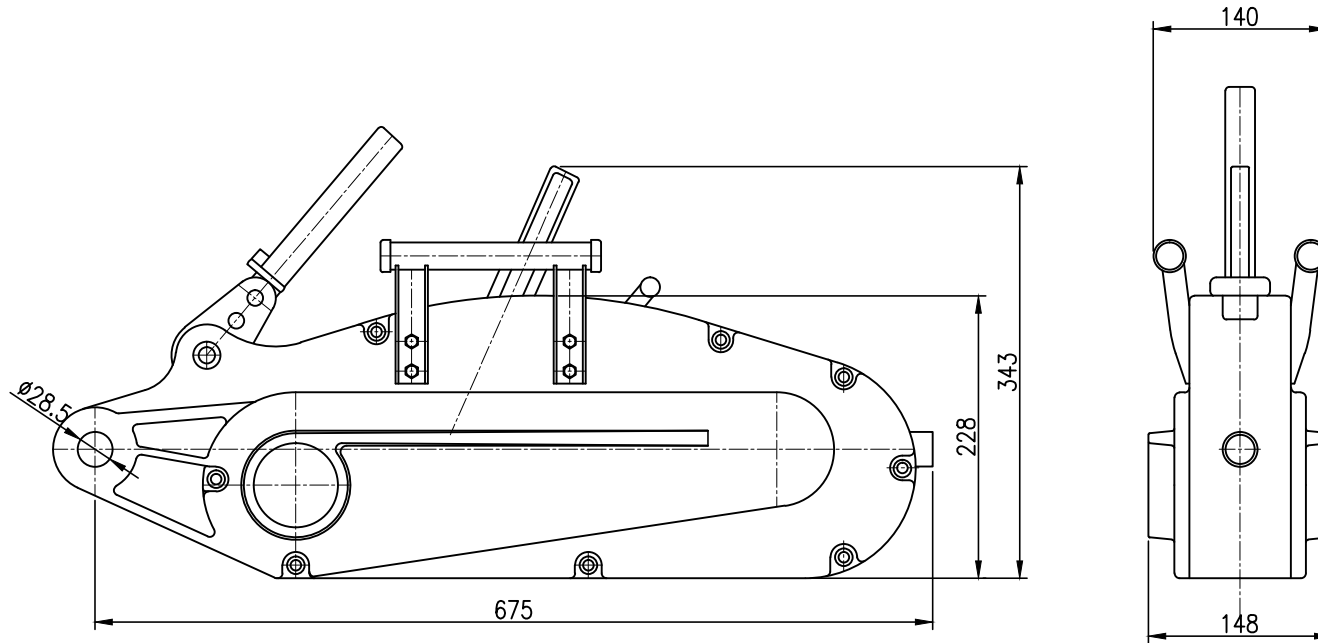
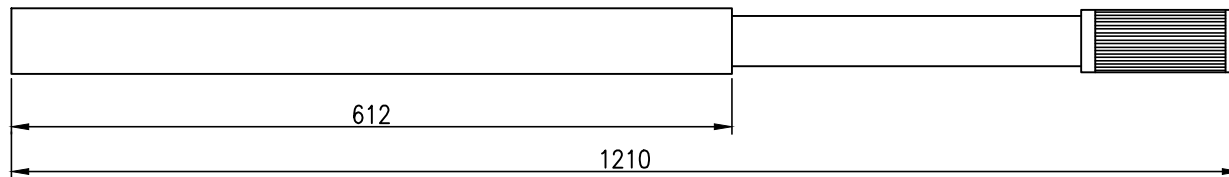


NO	DESCRIPTION	MAT'L	Q'TY	WT(kg)	REMARKS



SPECIFICATION	
HOISTING LOAD	3.2 TON
PULLING CAPACITY	5 TON
TRANSMISSION SPEED	3 M/MIN
HOISTING	MANUAL
WEIGHT	33 kg
WIRE ROPE	IWRC 16MM



TITLE DW-35 WIRE WINCH				PROJECTION	
WORK NO				WORK NAME	
				SCALE	Q'TY
				1/2	1
DRAWN	CHECKED	REVIEWED	APPROVED	DRAWING NO	
YOO.M.R		LEE. H.J	Y.K	DSDW03001	
2012.08.29		2012.08.29	2012.08.29		
<b>DAESAN INoTEC INC</b>					

REV.NO	DATE	REVISION DESCRIPTION	DRAWN	CHECKED	APPROVED