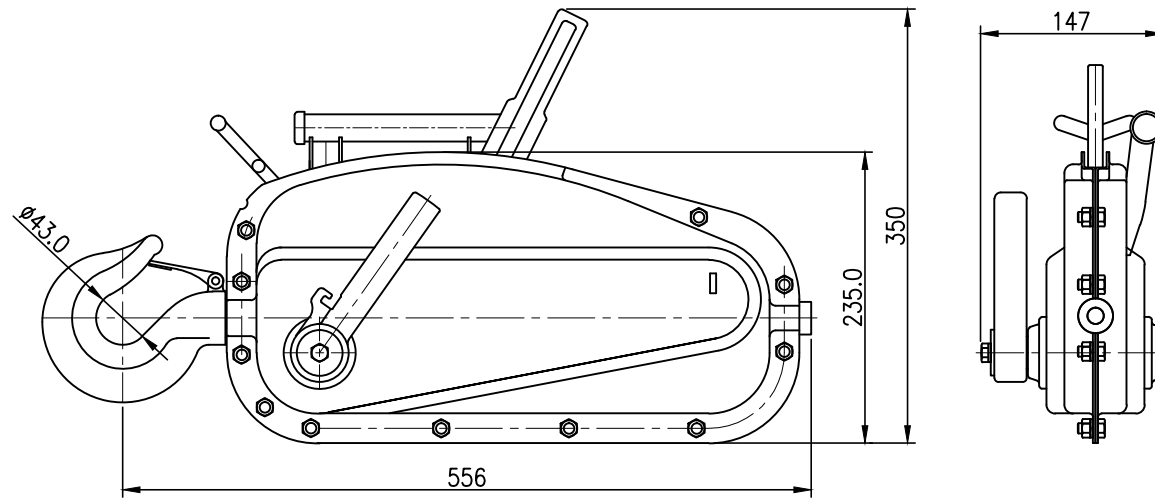
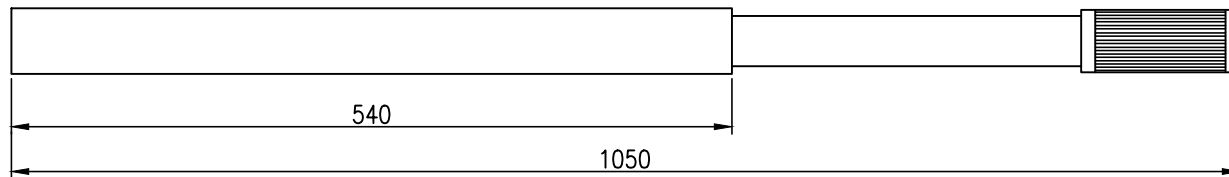


| NO | DESCRIPTION | MAT'L | Q'TY | WT(kg) | REMARKS |
|----|-------------|-------|------|--------|---------|
| | | | | | |



| SPECIFICATION | |
|--------------------|--------------|
| HOISTING LOAD | 1.6 TON |
| PULLING CAPACITY | 2.5 TON |
| TRANSMISSION SPEED | 3 M/MIN |
| HOISTING | MANUAL |
| WEIGHT | 22 kg |
| WIRE ROPE | IWRC 11.6 MM |



| | | | | | |
|------------------------|---------|------------|------------|------------|------|
| TITLE DW-15 WIRE WINCH | | | | PROJECTION | |
| WORK NO | | | | WORK NAME | |
| | | | | SCALE | Q'TY |
| | | | | 1/2 | 1 |
| DRAWN | CHECKED | REVIEWED | APPROVED | DRAWING NO | |
| YOO.M.R | | LEE. H.J | Y.K | DSDW16001 | |
| 2012.08.29 | | 2012.09.20 | 2012.09.20 | | |

| REV.NO | DATE | REVISION DESCRIPTION | DRAWN | CHECKED | APPROVED |
|--------|------|----------------------|-------|---------|----------|
| | | | | | |

DAESAN INoTEC INC