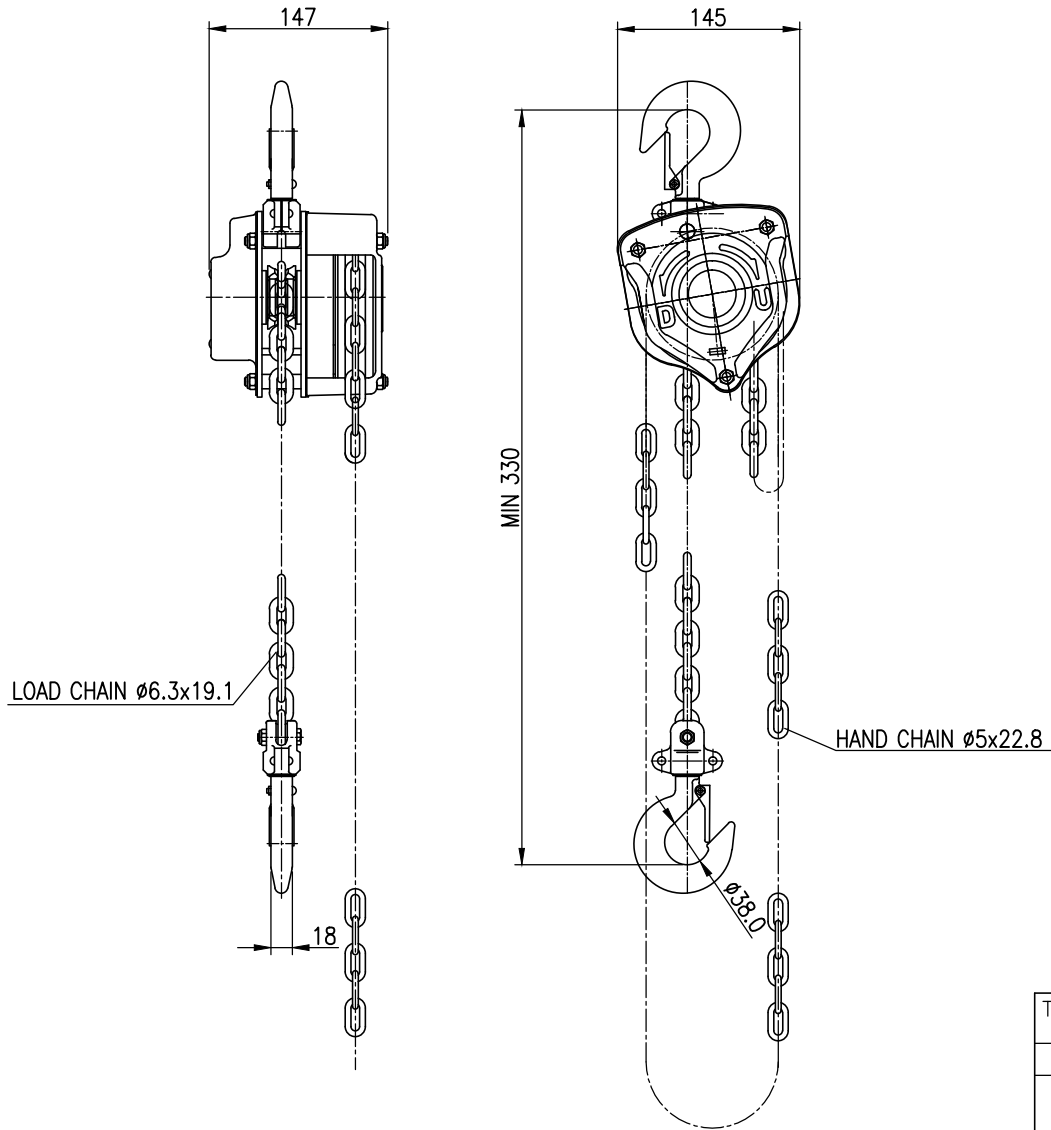


NO	DESCRIPTION	MAT'L	Q'TY	WT(kg)	REMARKS



SPECIFICATION	
HOISTING LOAD	1 TON
TESTING LOAD	1.5 TON
LIFTING HEIGHT	2.5 M
HOISTING	MANUAL
WEIGHT	12 kg
LOAD CHAIN	$\phi 6.3 \times 19.1$

TITLE DSN-1TON CHAIN BLOCK				PROJECTION	
WORK NO		WORK NAME			
				SCALE	Q'TY
				1/1	1
DRAWN	CHECKED	REVIEWED	APPROVED	DRAWING NO	
YOO.M.R		LEE.H.J	Y.K	DSN01001	
2012.05.30		2012.06.08	2012.06.08		

REV.NO	DATE	REVISION DESCRIPTION	DRAWN	CHECKED	APPROVED

DAESAN INoTEC IND. CO., LTD.