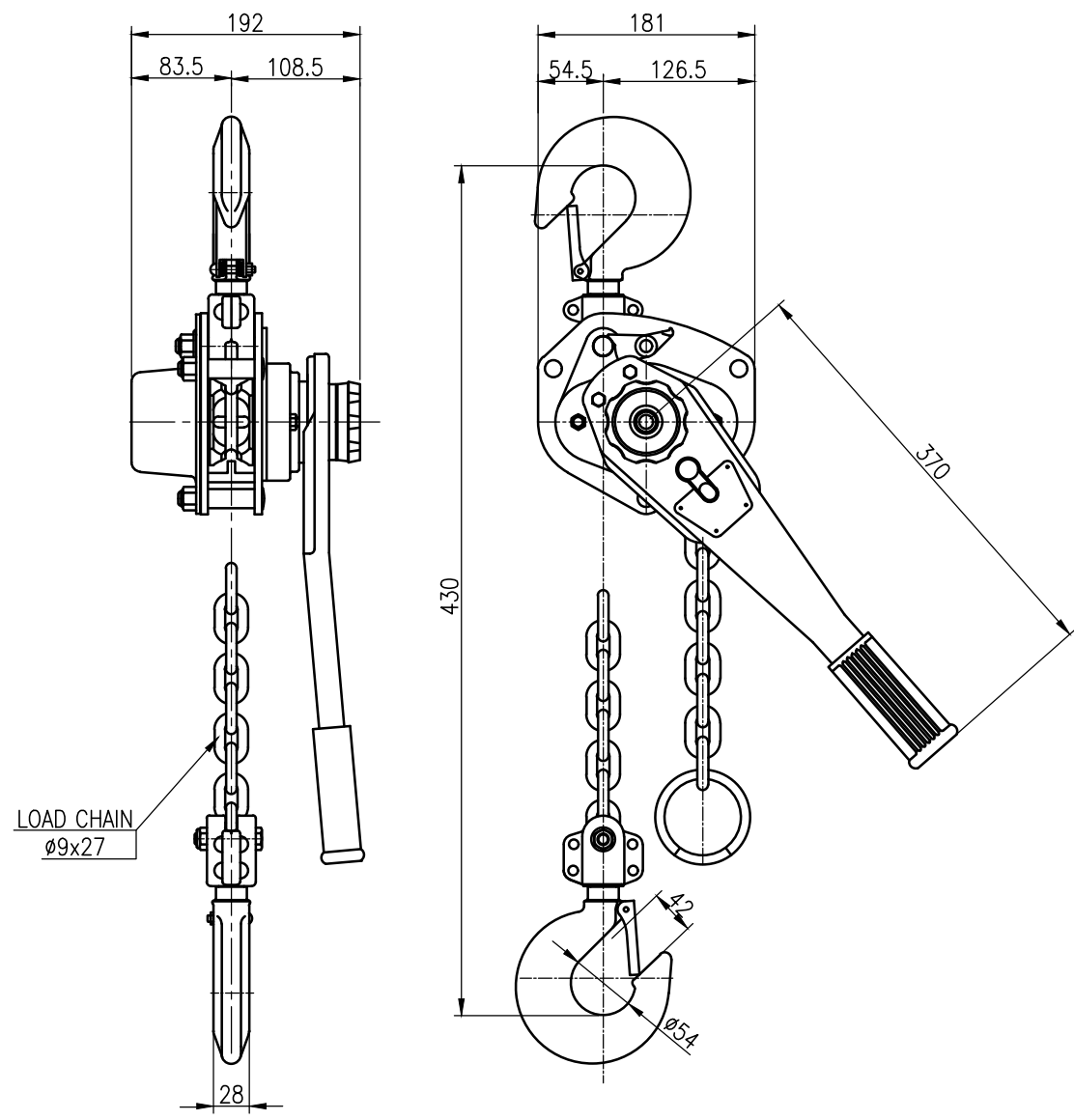


NO	DESCRIPTION	MAT'L	Q'TY	WT(kg)	REMARKS



SPECIFICATION	
HOISTING LOAD	3 TON
TESTING LOAD	4.5 TON
LIFTING HEIGHT	1.5 M
HOISTING	MANUAL
WEIGHT	16.3 kg
LOAD CHAIN	ø9X27

TITLE				PROJECTION	
D1-3TON LEVER BLOCK					
WORK NO		WORK NAME		SCALE	Q'TY
				1/2	1
DRAWN	CHECKED	REVIEWED	APPROVED	DRAWING NO	
YOO.M.R		LEE. H.J	Y.K	DSD103001	
2012.05.30		2012.12.10	2012.12.10		

REV.NO	DATE	REVISION DESCRIPTION	DRAWN	CHECKED	APPROVED

**DAESAN INoTEC INC**