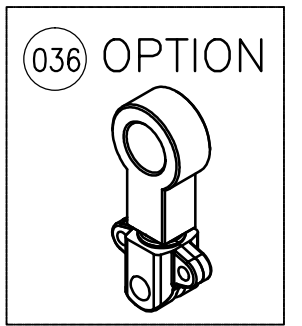
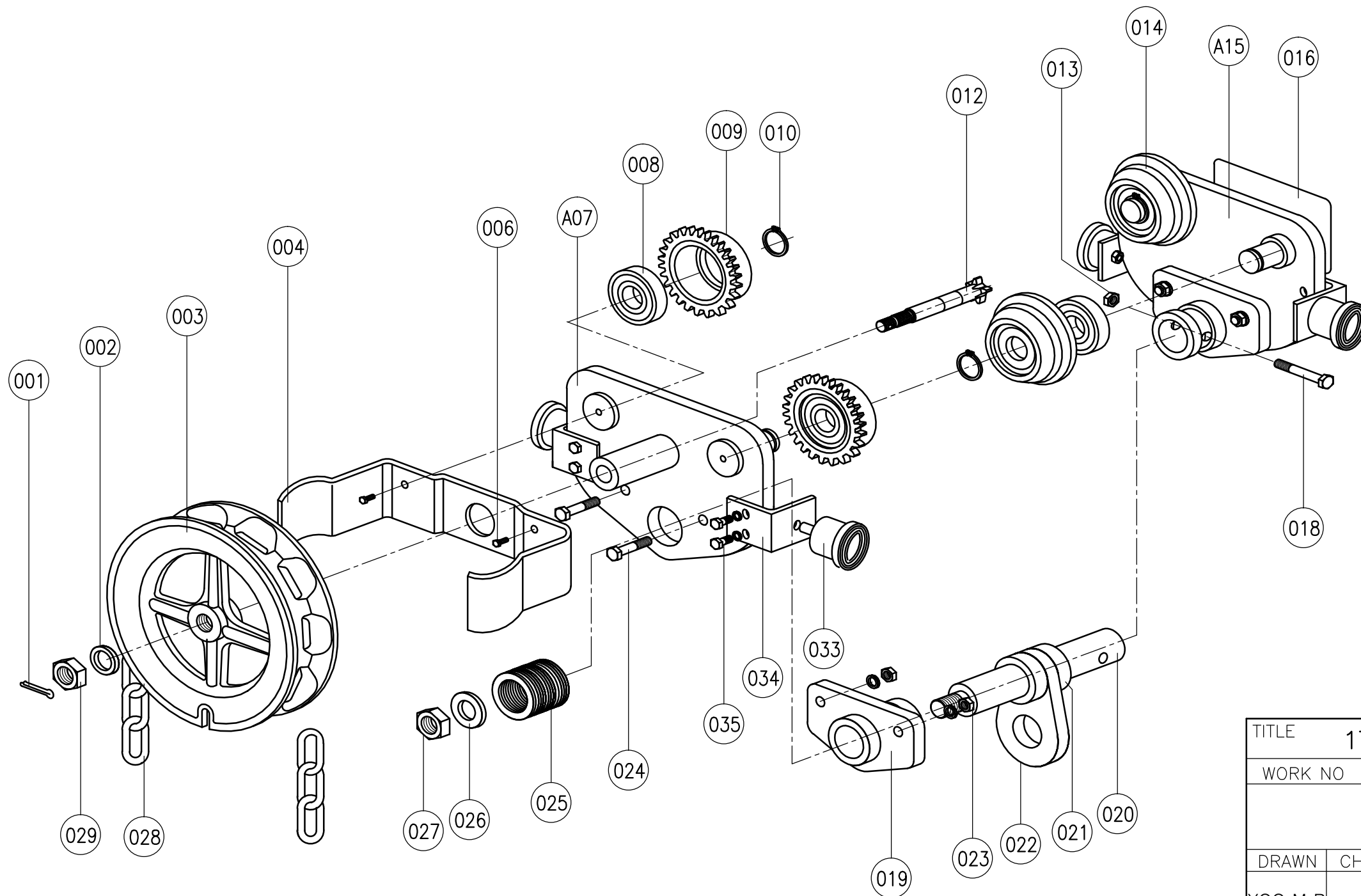


| NO | DESCRIPTION | Q' TY | WT (kg) | REMARKS | NO | DESCRIPTION | Q' TY | WT (kg) | REMARKS | NO | DESCRIPTION | Q' TY | WT (kg) | REMARKS |
|-----|-----------------------|-------|---------|---------|-----|------------------------|-------|---------|---------|-----|-----------------|-------|---------|---------|
| 001 | COTTER PIN | 1 | | ∅3x20 | 013 | U-NUT | 1 | | M6 | 024 | HEX BOLT | 4 | | M10x30 |
| 002 | PLAIN WASHER | 1 | | M12 | 014 | PLAIN ROLLER | 2 | | | 025 | ADJUST WASHER | 16 | | |
| 003 | HAND WHEEL | 1 | | | A15 | PLAIN SIDE PLATE ASS'Y | 1 | | | 026 | SIDE WASHER | 1 | | |
| 004 | GUIDE PLATE | 1 | | | 016 | NAME PLATE | 1 | | | 027 | U NUT | 1 | | M22 |
| 006 | WRENCH BOLT S/W | 2 | | M6x15 | 018 | FIX BOLT | 1 | | M6x50 | 028 | HAND CHAIN | 1 | | |
| A07 | GEAR SIDE PLATE ASS'Y | 1 | | | 019 | BRACKET | 2 | | | 029 | PINION NUT | 1 | | |
| 008 | BALL BEARING | 4 | | 6203ZZ | 020 | STAY | 1 | | | 033 | BUMPER RUBBER | 4 | | |
| 009 | GEAR ROLLER | 2 | | | 021 | RING | 2 | | | 034 | BUMPER BRACKET | 4 | | |
| 010 | SNAP RING | 4 | | S-17 | 022 | CENTER PLATE | 1 | | | 035 | HEX BOLT S/W | 8 | | M10x20 |
| 012 | PINION SHAFT | 1 | | | 023 | U NUT | 4 | | M10 | 036 | CONNECTOR ASS'Y | 1 | | OPTION |



| | | | | | | | |
|--------------------------|---------|------------|------------|----------------------|--|------------|--|
| TITLE | | | | 1TON EX-GEAR TROLLEY | | PROJECTION | |
| WORK NO | | | | WORK NAME | | | |
| | | | | SCALE | | Q'TY | |
| | | | | N S | | 1 | |
| DRAWN | CHECKED | REVIEWED | APPROVED | DRAWING NO | | | |
| YOO.M.R | - | LEE. H.J | Y. K | DSG010EE01 | | | |
| 2013.01.03 | - | 2013.01.03 | 2013.01.03 | | | | |
| DAESAN INoTEC INC | | | | | | | |