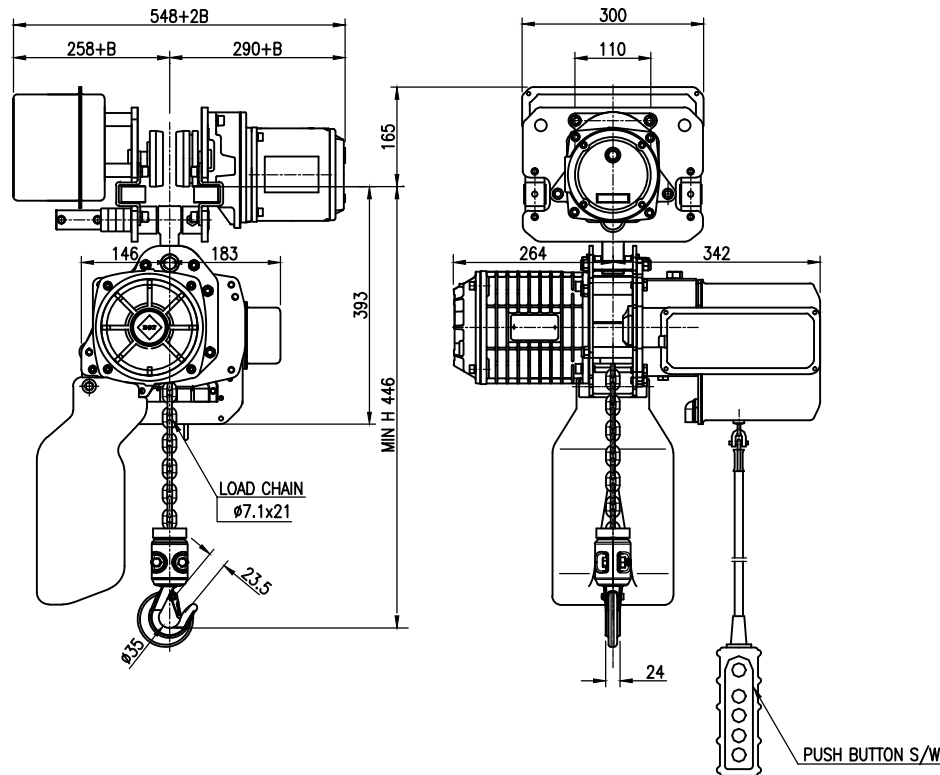


NO	DESCRIPTION	MAT'L	Q'TY	WT(kg)	REMARKS



SPECIFICATION		
HOISTING LOAD	1	TON
TESTING LOAD	1.25	TON
LIFTING HEIGHT	4	M
HOISTING	SPEED	2.7-8.2 M/MIN
	MOTOR	1.8 KW x 4P x 1 SET
TRAVERSING	SPEED	5.2-15.2 M/MIN
	MOTOR	0.4 KW x 6P x 1 SET
POWER SUPPLY	AC 220,380, 440V x 3ø x 60 Hz	
OPERATING METHOD	P.B type ON . FL	
WEIGHT	102 KG	
I-BEAM SIZE	75-125	

* B CALCULATION $B=1/2 \times (I \text{ BEAM WIDTH})$

* ROLLER DIA : ø95

* LIMIT SWITCH : OPTION

TITLE EDSTM-1S CHAIN HOIST				PROJECTION	
WORK NO		WORK NAME			
SCALE		Q'TY			
1/1		1			
DRAWN	CHECKED	REVIEWED	APPROVED	DRAWING NO	
YOO.M.R	-	LEE. H.J	Y. K	EDSTM1S01	
2013.08.30	-	2013.08.30	2013.08.30		

REV.NO	DATE	REVISION DESCRIPTION	DRAWN	CHECKED	APPROVED

DAESAN INoTEC INC