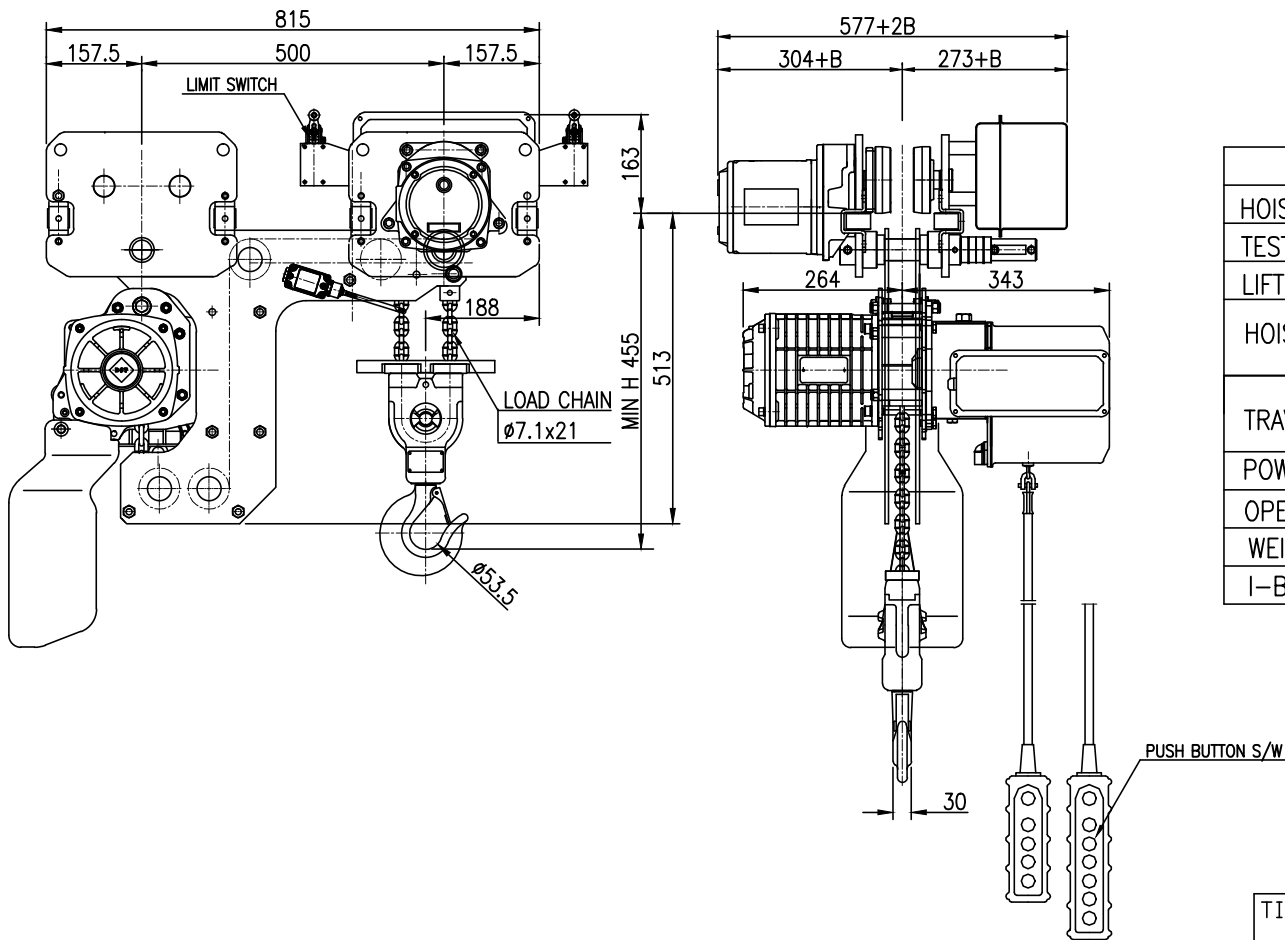


NO	DESCRIPTION	MAT'L	Q'TY	WT(kg)	REMARKS



SPECIFICATION		
HOISTING LOAD	2 TON	
TESTING LOAD	2.5 TON	
LIFTING HEIGHT	4 M	
HOISTING	SPEED	1.3~4.1 M/MIN
	MOTOR	1.8 KW x 4P x 1 SET
TRAVERSING	SPEED	5.2~15.2 M/MIN
	MOTOR	0.4 KW x 6P x 1 SET
POWER SUPPLY	AC 220/380, 440V 460,480V x 3 ϕ 60HZ	
OPERATING METHOD	P.B type ON . FL	
WEIGHT	152.5 KG	
I-BEAM SIZE	100-150	

TITLE EDSTHM-2W CHAIN HOIST				PROJECTION	
WORK NO		WORK NAME			
				SCALE	Q'TY
				1/1	1
DRAWN	CHECKED	REVIEWED	APPROVED	DRAWING NO	
H.J	-	LEE	Y.K	EDSTHM02W1	
2017.01.16	-	2017.01.16	2017.01.16		
DAESAN INoTEC INC					

REV.NO	DATE	REVISION DESCRIPTION	DRAWN	CHECKED	APPROVED