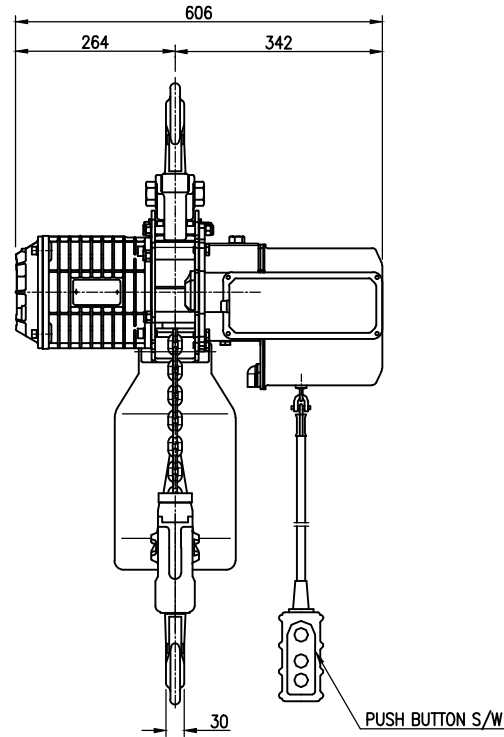
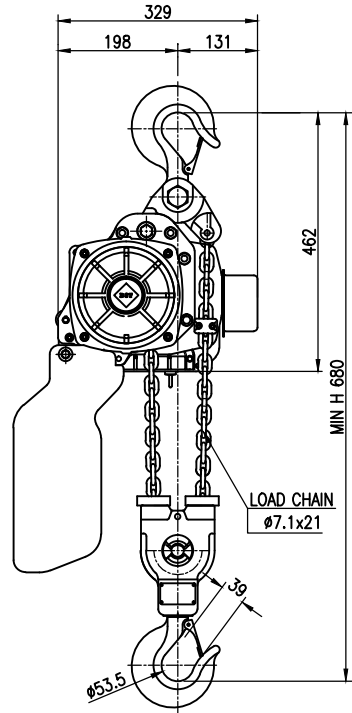


NO	DESCRIPTION	MAT'L	Q'TY	WT(kg)	REMARKS



SPECIFICATION		
HOISTING LOAD	2	TON
TESTING LOAD	2.5	TON
LIFTING HEIGHT	4	M
HOISTING	SPEED	1.3-4.1 M/MIN
	MOTOR	1.8 KW x 4P x 1 SET
POWER SUPPLY	AC 220,380,440, x 3φ x 50/60 Hz	
OPERATING METHOD	P.B type ON . FL	
WEIGHT	71 KG	

TITLE EDST-2W CHAIN HOIST				PROJECTION	
WORK NO		WORK NAME			
				SCALE	Q'TY
				1/1	1
DRAWN	CHECKED	REVIEWED	APPROVED	DRAWING NO	
YOO.M.R	-	LEE. H.J	Y.K	EDST02W01	
2013.08.29	-	2013.08.29	2013.08.29		
DAESAN INoTEC INC					

REV.NO	DATE	REVISION DESCRIPTION	DRAWN	CHECKED	APPROVED