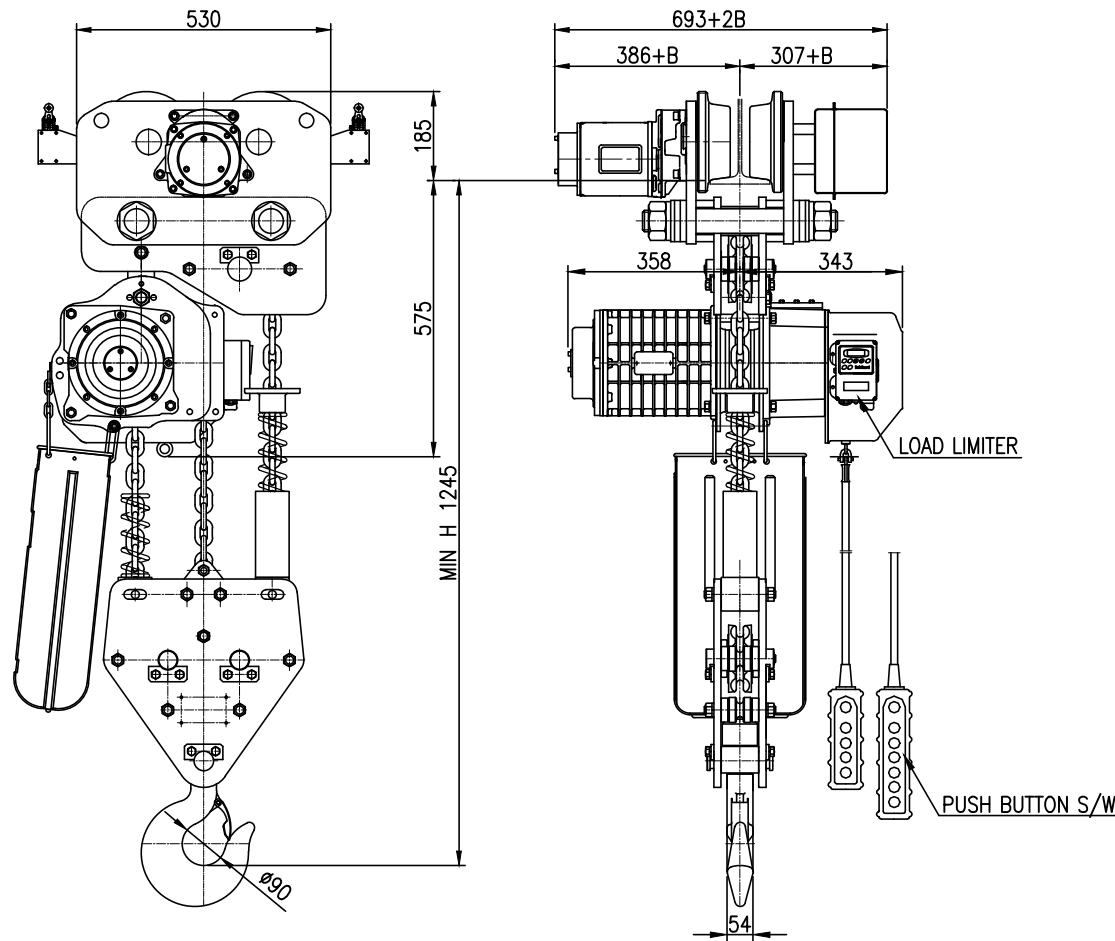


NO	DESCRIPTION	MAT'L	Q'TY	WT(kg)	REMARKS



SPECIFICATION		
HOISTING LOAD	7.5	TON
TESTING LOAD	9.375	TON
LIFTING HEIGHT	5	M
HOISTING	SPEED	0.9-2.1 M/MIN
	MOTOR	3.5KW x 4P x 1 SET
TRAVERSING	SPEED	3.3-10 M/MIN
	MOTOR	0.75 KW x 6P x 1 SET
POWER SUPPLY	AC 220,380,440. x 3ø x 60 Hz	
OPERATING METHOD	P.B type ON . FL	
WEIGHT	482 KG	
I-BEAM WIDTH	125-175	
최소 회전 반경	R2000	

- * B는 BEAM 변동값임
- * ROLLER DIA : ø160
- * LIMIT SWITCH : OPTION
- * 본 도면은 1-BEAM 125MM 기준임.
- * ADJUSTING COLLAR 12.5x4x2=8EA, 7.5x4EA

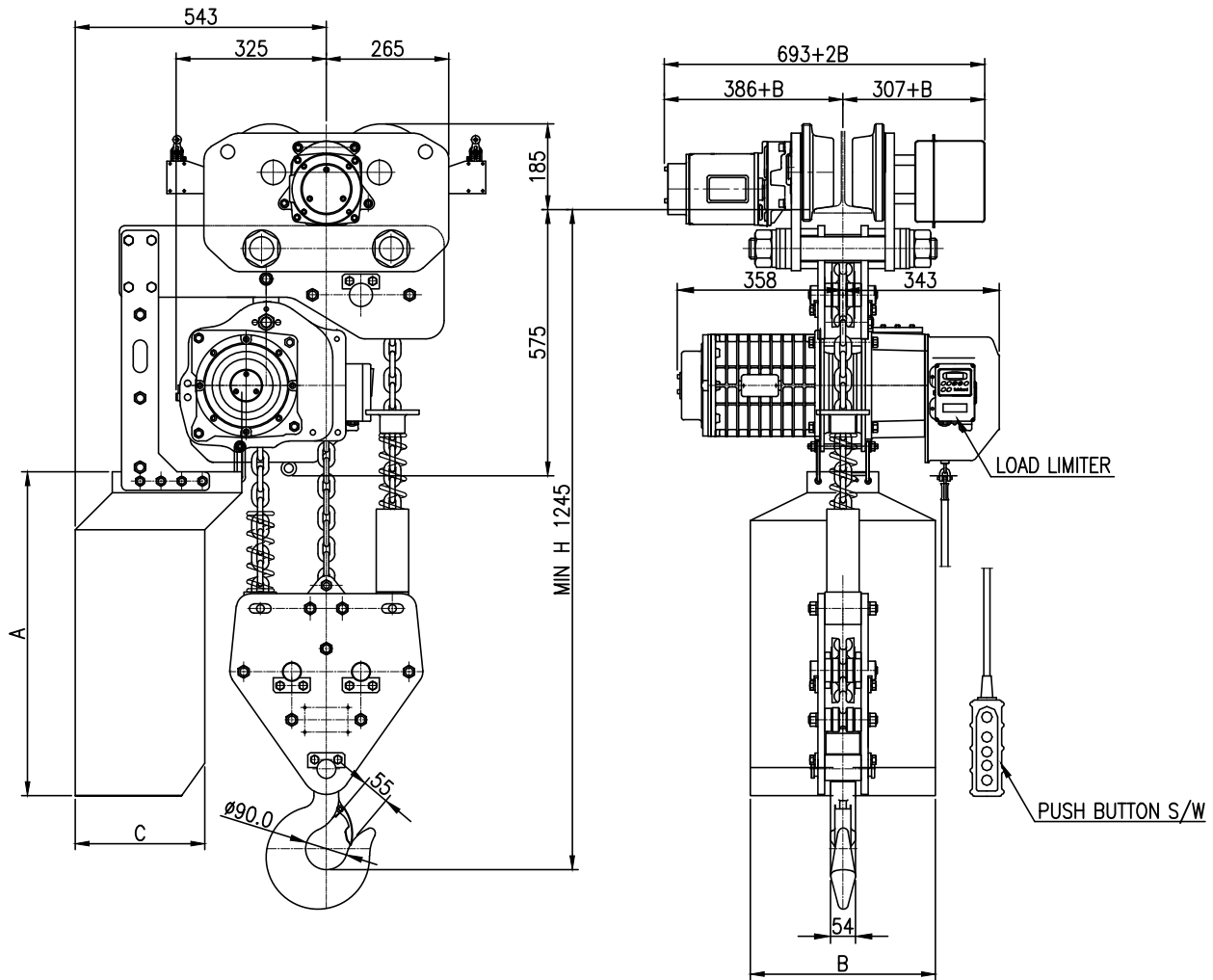
TITLE EDSMS-7.5W CHAIN HOIST				PROJECTION	
WORK NO		WORK NAME			
				SCALE	Q'TY
TROLLEY ONE BODY				1/1	1
DRAWN	CHECKED	REVIEWED	APPROVED	DRAWING NO	
H.J		LEE	Y. K	EDSMS75W02	
2020.09.14		2020.09.14	2020.09.14		

도면에 지시되지 않은 일반공차						
가공별	치수	3-6	6-30	30-120	120-315	315-1000
선	삭					
구멍간	거리	±0.1	±0.2	±0.3	±0.5	±0.8

REV.NO	DATE	REVISION DESCRIPTION	DRAWN	CHECKED	APPROVED

DAESAN INoTEC INC

NO	DESCRIPTION	MAT'L	Q'TY	WT(kg)	REMARKS



SPECIFICATION		
HOISTING LOAD	7.5	TON
TESTING LOAD	9.375	TON
LIFTING HEIGHT	5	M
HOISTING	SPEED	0.9-2.1 M/MIN
	MOTOR	3.5KW x 4P x 1 SET
TRAVERSING	SPEED	3.3-10 M/MIN
	MOTOR	0.75 KW x 6P x 1 SET
POWER SUPPLY	AC 220,380,440. x 3 ϕ x 60 Hz	
OPERATING METHOD	P.B type ON . FL	
WEIGHT	482~ KG	
I-BEAM WIDTH	125-175	
최소 회전 반경	R2000	

- * B는 BEAM 변동값임
- * ROLLER DIA : $\phi 160$
- * LIMIT SWITCH : OPTION
- * 본 도면은 1-BEAM 125MM 기준임.

LIFT(M)	A	B	C
$\phi 11.2 \times 34$			
7 - 10	650	400	280
10 - 16	800	400	280
17 - 26	1000	400	280
27 - 35	1200	400	280

도면에 지시되지 않은 일반공차						
가공별	치수	3-6	6-30	30-120	120-315	315-1000
선	삭					
구멍간	거리	± 0.1	± 0.2	± 0.3	± 0.5	± 0.8

TITLE				PROJECTION	
EDSMS-7.5W CHAIN HOIST					
WORK NO	WORK NAME			SCALE	Q'TY
	TROLLEY ONE BODY			1/1	1
DRAWN	CHECKED	REVIEWED	APPROVED	DRAWING NO	
H.J		LEE	Y. K	EDSM75W02	
2020.09.14		2020.09.14	2020.09.14		

REV.NO	DATE	REVISION DESCRIPTION	DRAWN	CHECKED	APPROVED

DAESAN INoTEC INC