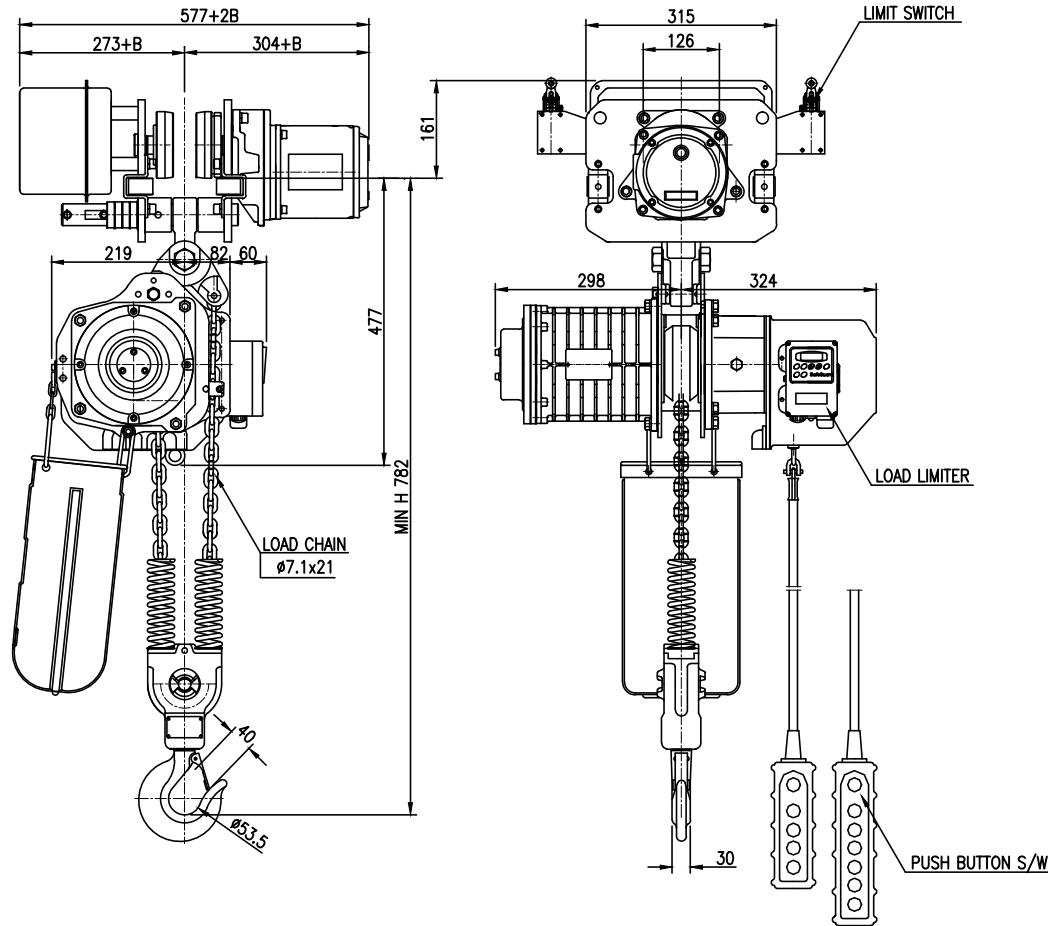


NO	DESCRIPTION	MAT'L	Q'TY	WT(kg)	REMARKS



SPECIFICATION		
HOISTING LOAD	2	TON
TESTING LOAD	2.5	TON
LIFTING HEIGHT	4	M
HOISTING	SPEED	1.1~3.2 M/MIN
	MOTOR	1.8 KW x 4P x 1 SET
TRAVERSING	SPEED	5.2-15.2 M/MIN
	MOTOR	0.4 KW x 6P x 1 SET
POWER SUPPLY	AC 220, 380, 440 x 3Ø x 60 Hz	
OPERATING METHOD	P.B type ON . FL	
WEIGHT	132 KG	
I-BEAM SIZE	100-150	

* β는 BEAM폭 치수임.

* ROLLER DIA : Ø110

* LIMIT SWITCH : OPTION

* 본 도면은 I-BEAM 100MM 기준임.

TITLE EDMS-2W CHAIN HOIST				PROJECTION	
WORK NO		WORK NAME			
SCALE		Q'TY			
1/1		1		DRAWING NO	
DRAWN		CHECKED	REVIEWED	APPROVED	EDSM20W01
H.J		-	LEE	Y.K	
2020.09.14		-	2020.09.14	2020.09.14	
DAESAN InoTEC INC					

REV.NO	DATE	REVISION DESCRIPTION	DRAWN	CHECKED	APPROVED