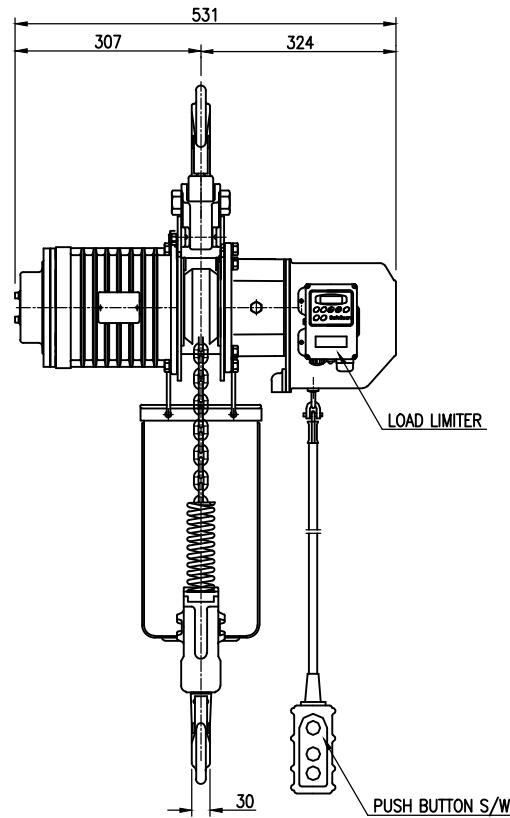
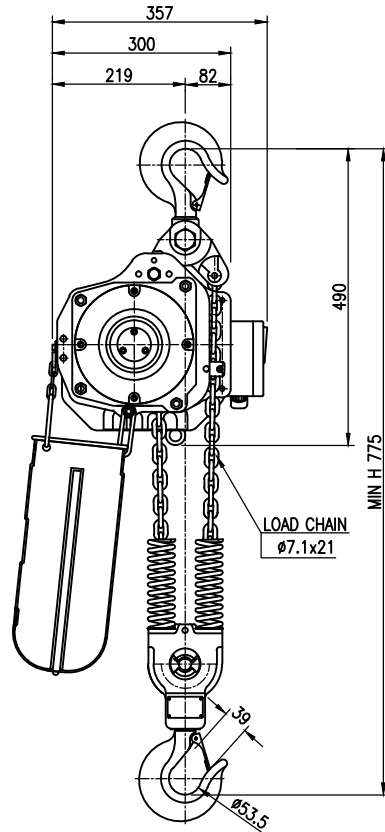


NO	DESCRIPTION	MAT'L	Q'TY	WT(kg)	REMARKS



SPECIFICATION		
HOISTING LOAD	1.9	TON
TESTING LOAD	2.375	TON
LIFTING HEIGHT	4	M
HOISTING	SPEED	1.3-4.1 M/MIN
	MOTOR	1.2/1.8 KW x 1 SET
POWER SUPPLY	AC220, 380, 440 x 3ø x 60 Hz	
OPERATING METHOD	P.B type ON . FL	
WEIGHT	87 KG	

TITLE EDSA-1.9W CHAIN HOIST				PROJECTION	
WORK NO		WORK NAME			
				SCALE	Q'TY
				1/1	1
DRAWN	CHECKED	REVIEWED	APPROVED	DRAWING NO	
YOO.M.R	-	LEE. H.J	Y.K	EDSA19W01	
2012.07.11	-	2012.07.11	2012.10.17		

REV.NO	DATE	REVISION DESCRIPTION	DRAWN	CHECKED	APPROVED

DAESAN INoTEC INC