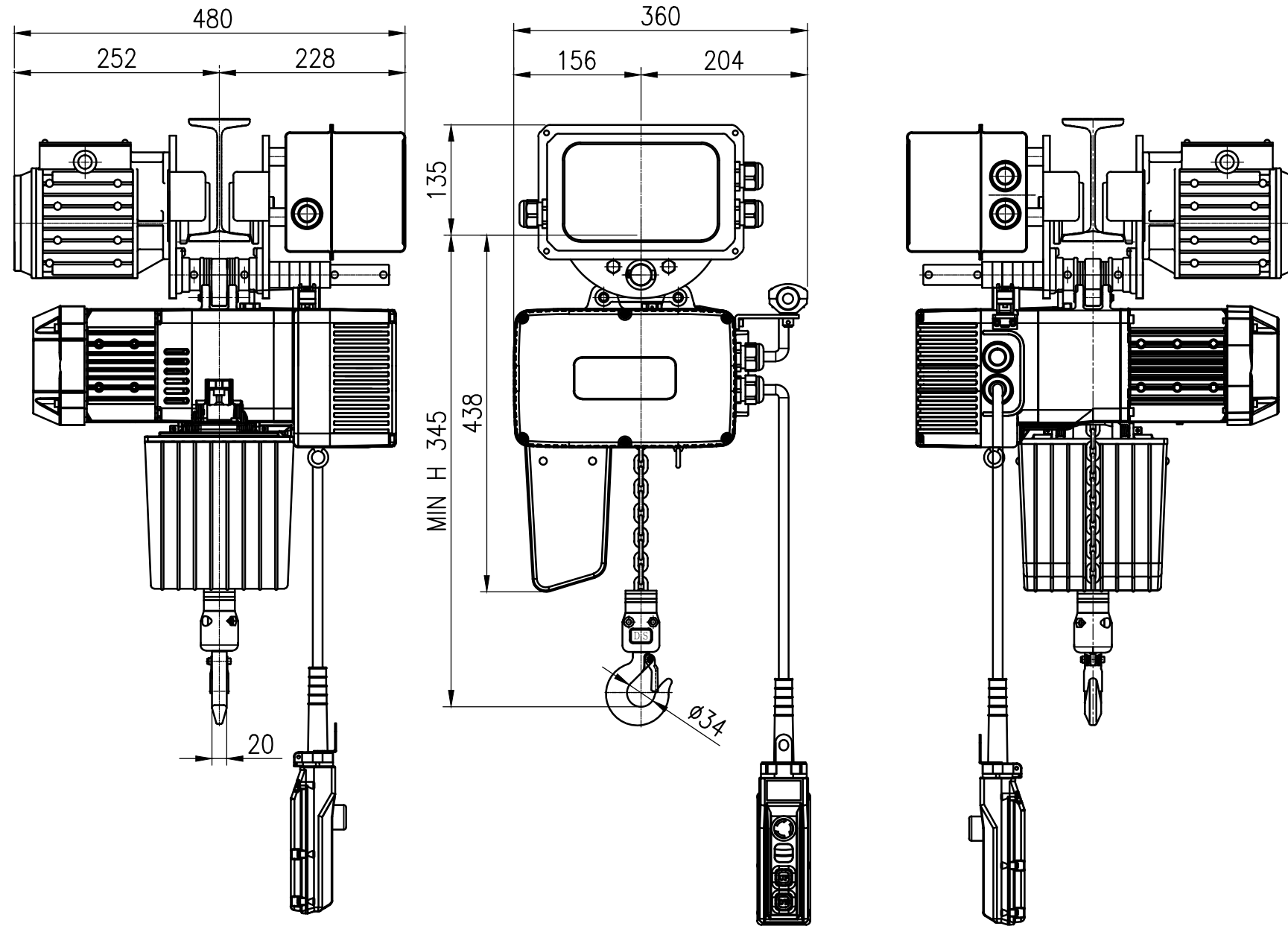


NO	DESCRIPTION	MAT'L	Q'TY	WT(kg)	REMARKS



SPECIFICATION	
HOISTING LOAD	250 KG
TESTING LOAD	313 KG
LIFTING HEIGHT	4 M
HOISTING	SPEED 1.7~10 M/MIN
	MOTOR 0.75 KW x 4P x 1 SET
TRAVERSING	SPEED 3.5~20.7 M/MIN
	MOTOR 0.4 KW x 4P x 1 SET
POWER SUPPLY	AC 220/380,440,480V x 3ø x 60Hz
	AC 220V x 1ø x 60Hz
OPERATING METHOD	P.B type ON . FL
WEIGHT	51.5 KG
LOAD CHAIN FALL	1
BEAM WIDTH	75-150 MM

TITLE EDLM-250KG CHAIN HOIST				PROJECTION	
WORK NO		MODEL NO			
				SCALE	Q'TY
				1/1	1
DRAWN	CHECKED	REVIEWED	APPROVED	MODEL NO	
H.J	-	LEE	Y.K	EDLM-250	
2019.09.25	-	2019.09.25	2019.09.25		
DAESAN INoTEC INC					

REV.NO	DATE	REVISION DESCRIPTION	DRAWN	CHECKED	APPROVED