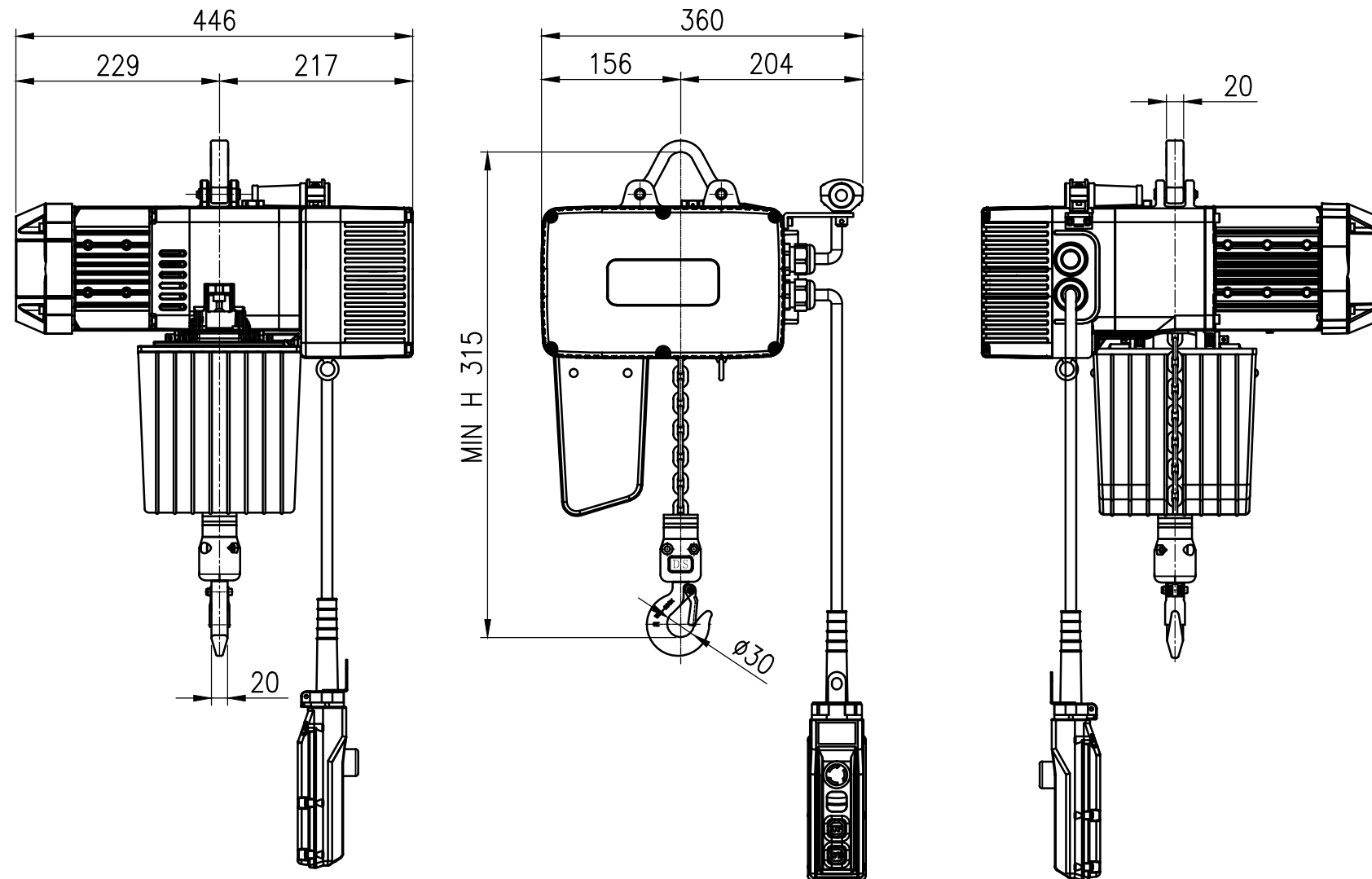


NO	DESCRIPTION	MAT'L	Q'TY	WT(kg)	REMARKS



SPECIFICATION		
HOISTING LOAD	125	KG
TESTING LOAD	156	KG
LIFTING HEIGHT	4	M
HOISTING	SPEED	2.8~17 M/MIN
	MOTOR	0.75 KW x 4P x 1 SET
POWER SUPPLY	AC 220/380, 440, 480V x 3φ x 60Hz	
	AC 220V x 1φ x 60Hz	
OPERATING METHOD	P.B type ON . FL	
WEIGHT	27	KG
LOAD CHAIN FALL	1	

TITLE EDL-125KG CHAIN HOIST				PROJECTION	
WORK NO		MODEL NO			
				SCALE	Q'TY
				1/1	1
DRAWN	CHECKED	REVIEWED	APPROVED	MODEL NO	
H.J	-	LEE	Y.K	EDL-125-R	
2019.11.15	-	2019.11.15	2019.11.15		
DAESAN INoTEC INC					

REV.NO	DATE	REVISION DESCRIPTION	DRAWN	CHECKED	APPROVED