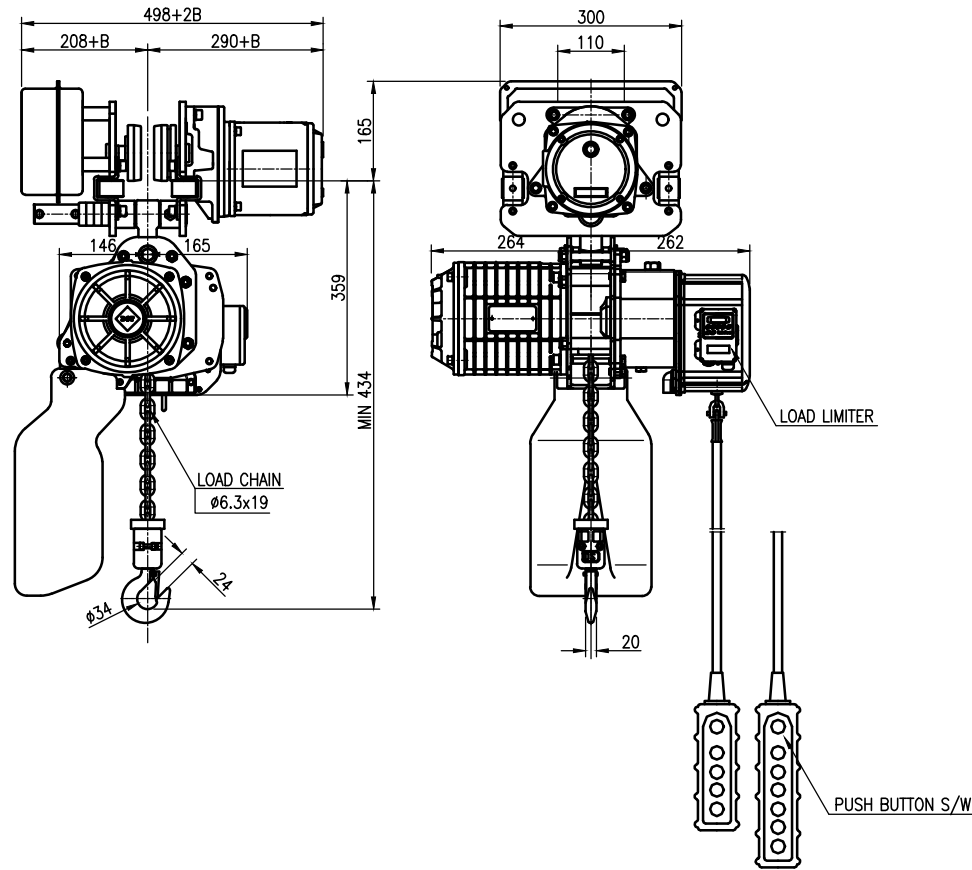


NO	DESCRIPTION	MAT'L	Q'TY	WT(kg)	REMARKS



SPECIFICATION			
HOISTING LOAD	0.5	TON	
TESTING LOAD	0.625	TON	
LIFTING HEIGHT	4	M	
HOISTING	SPEED	50/60Hz	6.7/8.0 M/MIN
		50/60Hz	4.6/5.5 M/MIN
	MOTOR	0.8/0.6 KW x 4/6P x 1 SET	
TRAVERSING	SPEED	15 M/MIN	
	MOTOR	0.4 KW x 6P x 1 SET	
POWER SUPPLY	AC 220, 380, 440 x 3 $\phi$ x 50/60 Hz		
OPERATING METHOD	P.B type ON . FL		
WEIGHT	97 KG		
I-BEAM SIZE	75-125		

\* B 는 BEAM폭 변동 치수임.

\* LIMIT SWITCH : OPTION

\* ROLLER DIA :  $\phi 95$

TITLE				DSTM-0.5S CHAIN HOIST		PROJECTION	
WORK NO		WORK NAME					
		SCALE		Q'TY			
		1/1		1			
DRAWN	CHECKED	REVIEWED	APPROVED	DRAWING NO			
YOO.M.R	-	LEE. H.J	Y.K	DSTM05S001			
2012.07.11	-	2012.07.11	2012.07.11				
<b>DAESAN InoTEC INC</b>							

REV.NO	DATE	REVISION DESCRIPTION	DRAWN	CHECKED	APPROVED