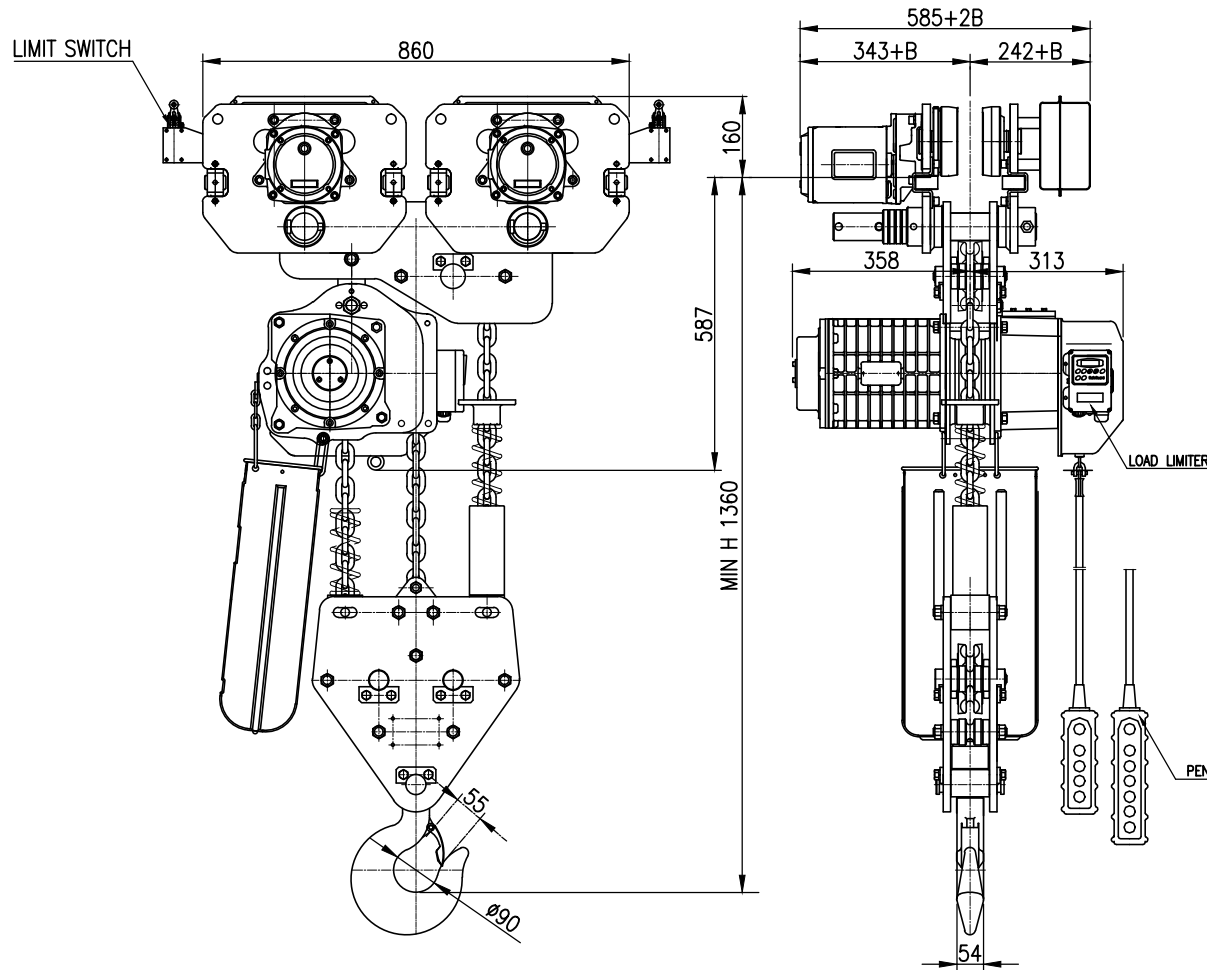


NO	DESCRIPTION	MAT'L	Q'TY	WT(kg)	REMARKS



SPECIFICATION			
HOISTING LOAD	7.5	TON	
TESTING LOAD	9.375	TON	
LIFTING HEIGHT	5	M	
HOISTING	SPEED	50/60Hz	1.8/2.1 M/MIN
	MOTOR	3.5KW x 4P x 1 SET	
TRAVERSING	SPEED	50/60Hz	11/14 M/MIN
	MOTOR	0.75 KW x 6P x 1 SET	
POWER SUPPLY	AC 220,380,440,480 V x 3ø x 60 Hz		
OPERATING METHOD	P.B type ON . FL		
I-BEAM SIZE	125 - 175		
LOAD CHAIN FALL	3		
WEIGHT	518		

- * β 는 BEAM 변동값임
- * ROLLER DIA : ø140
- * LIMIT SWITCH : OPTION
- * 본 도면은 1-BEAM 125MM 기준임.

TITLE DSM-7.5TON CHAIN HOIST				PROJECTION	
WORK NO	WORK NAME				
ASSEMBLY DWG					
				1/10	1
DRAWN	CHECKED	REVIEWED	APPROVED	DRAWING NO	
H.J		LEE	Y. K	DSM75W001	
2020.09.14		2020.09.14	2020.09.14		

REV.NO	DATE	REVISION DESCRIPTION	DRAWN	CHECKED	APPROVED

DAESAN INoTEC INC