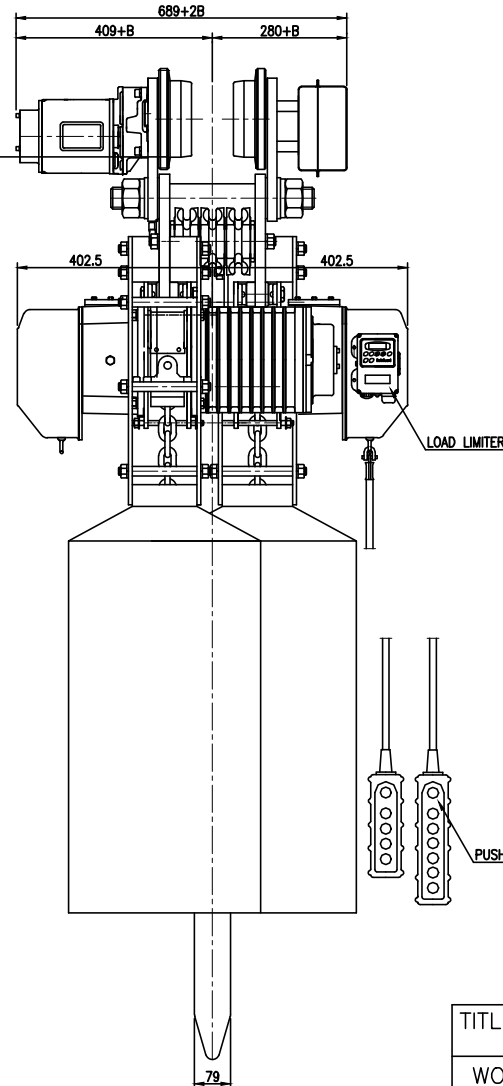
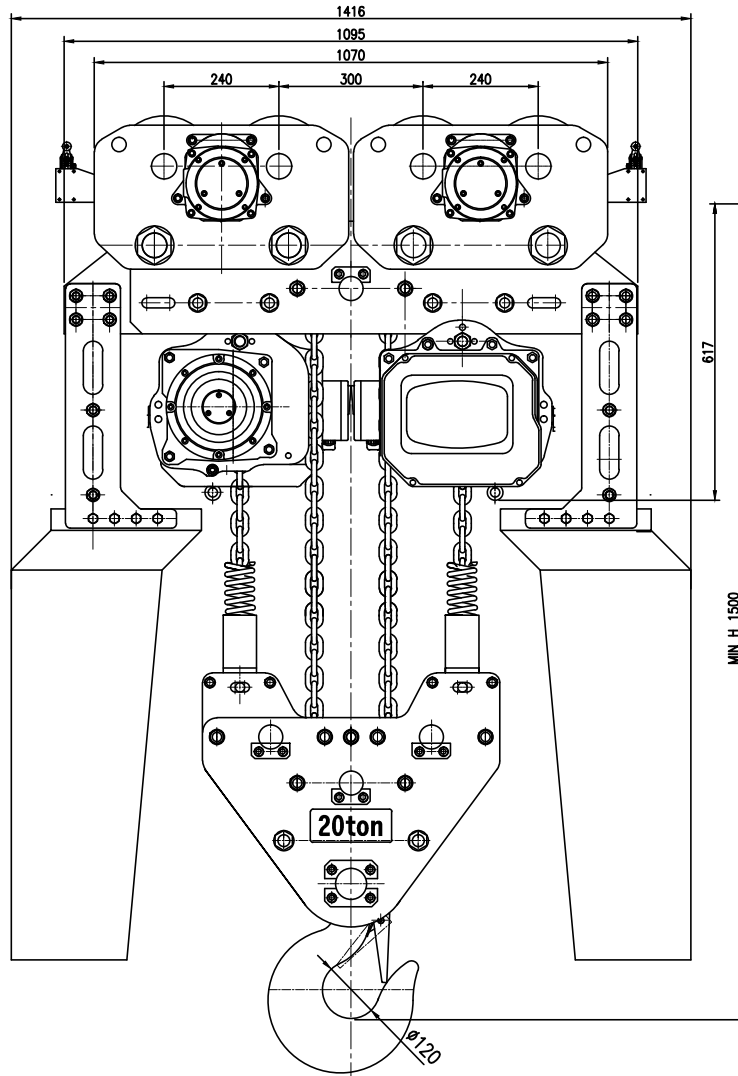


NO	DESCRIPTION	MAT'L	Q'TY	WT(kg)	REMARKS



SPECIFICATION			
HOISTING LOAD	20	TON	
TESTING LOAD	25	TON	
LIFTING HEIGHT	5	M	
HOISTING	SPEED	50/60Hz	1.3/1.6 M/MIN
	MOTOR	3.5 KW x 4P x 2 SET	
TRAVERSING	SPEED	50/60Hz	8.3/10.0 M/MIN
	MOTOR	0.75 KW x 6P x 2 SET	
POWER SUPPLY	AC 220,380,440. x 3φ x 60 Hz		
OPERATING METHOD	P.B type ON . FL		
WEIGHT	1171 KG		
I-BEAM WIDTH	175-190		

- * β 는 BEAM 변동값임
- * ROLLER DIA : φ160
- * LIMIT SWITCH : OPTION
- * 본 도면은 1-BEAM 175MM 기준임.

TITLE DSM-20W CHAIN HOIST				PROJECTION	
WORK NO				WORK NAME	
				SCALE	Q'TY
				1/1	1
DRAWN	CHECKED	REVIEWED	APPROVED	DRAWING NO	
H.J	-	LEE	Y.K	DSM20W002	
2020.09.14	-	2020.09.14	2020.09.14		

도면에 지시되지 않은 일반공차						
가공법	치수	3-6	6-30	30-120	120-315	315-1000
선	삭	±0.1	±0.2	±0.3	±0.5	±0.8
구멍간	거리	±0.1	±0.2	±0.3	±0.5	±0.8

REV.NO	DATE	REVISION DESCRIPTION	DRAWN	CHECKED	APPROVED

DAESAN INoTEC INC