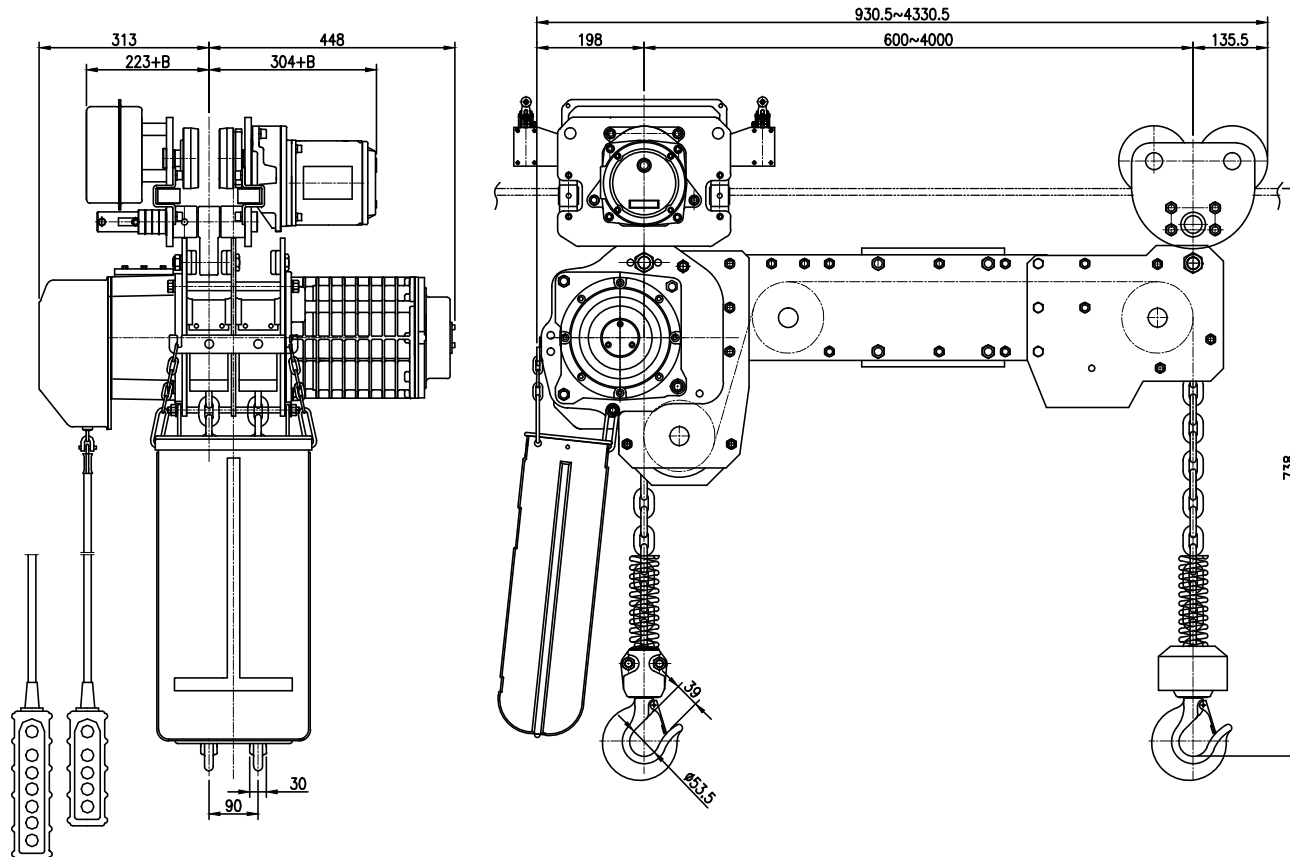


| NO | DESCRIPTION | MAT'L | Q'TY | WT(kg) | REMARKS |
|----|-------------|-------|------|--------|---------|
| | | | | | |



| SPECIFICATION | | |
|------------------|------------------------------------|-----------------------|
| HOISTING LOAD | 2 | TON |
| TESTING LOAD | 2.5 | TON |
| LIFTING HEIGHT | 4 | M |
| HOISTING | SPEED | 6.7/8.1 M/MIN |
| | MOTOR | 3.5 KW x 4P x 1 SET |
| TRAVERSING | SPEED | 15/21 M/MIN |
| | MOTOR | 0.4 KW x 6/4P x 1 SET |
| POWER SUPPLY | AC 220,380,440,480 x 3φ x 50/60 Hz | |
| OPERATING METHOD | P.B type ON . FL | |
| I-BEAM SIZE | 100-150 MM | |

NOTE

- * B는 BEAM 변동 치수임.
- * ROLLER DIA : Ø110
- * LIMIT SWITCH : OPTION
- * 본 도면은 I-BEAM 100MM 기준임.

| | | | | | |
|----------------------------|---------|------------|------------|------------|------|
| TITLE DSDHM-2S CHAIN HOIST | | | | PROJECTION | |
| WORK NO | | | | WORK NAME | |
| | | | | SCALE | Q'TY |
| | | | | 1/1 | 1 |
| DRAWN | CHECKED | REVIEWED | APPROVED | DRAWING NO | |
| H.J | - | LEE | Y. K | DSDHM02S01 | |
| 2020.09.15 | - | 2020.09.15 | 2020.09.15 | | |

| 도면에 지시되지 않은 일반공차 | | | | | | |
|------------------|----|------|------|--------|---------|----------|
| 가공별 | 치수 | 3-6 | 6-30 | 30-120 | 120-315 | 315-1000 |
| 선 | 삭 | ±0.1 | ±0.2 | ±0.3 | ±0.5 | ±0.8 |
| 구멍간 | 거리 | ±0.1 | ±0.2 | ±0.3 | ±0.5 | ±0.8 |

| REV.NO | DATE | REVISION DESCRIPTION | DRAWN | CHECKED | APPROVED |
|--------|------|----------------------|-------|---------|----------|
| | | | | | |

DAESAN INoTEC INC