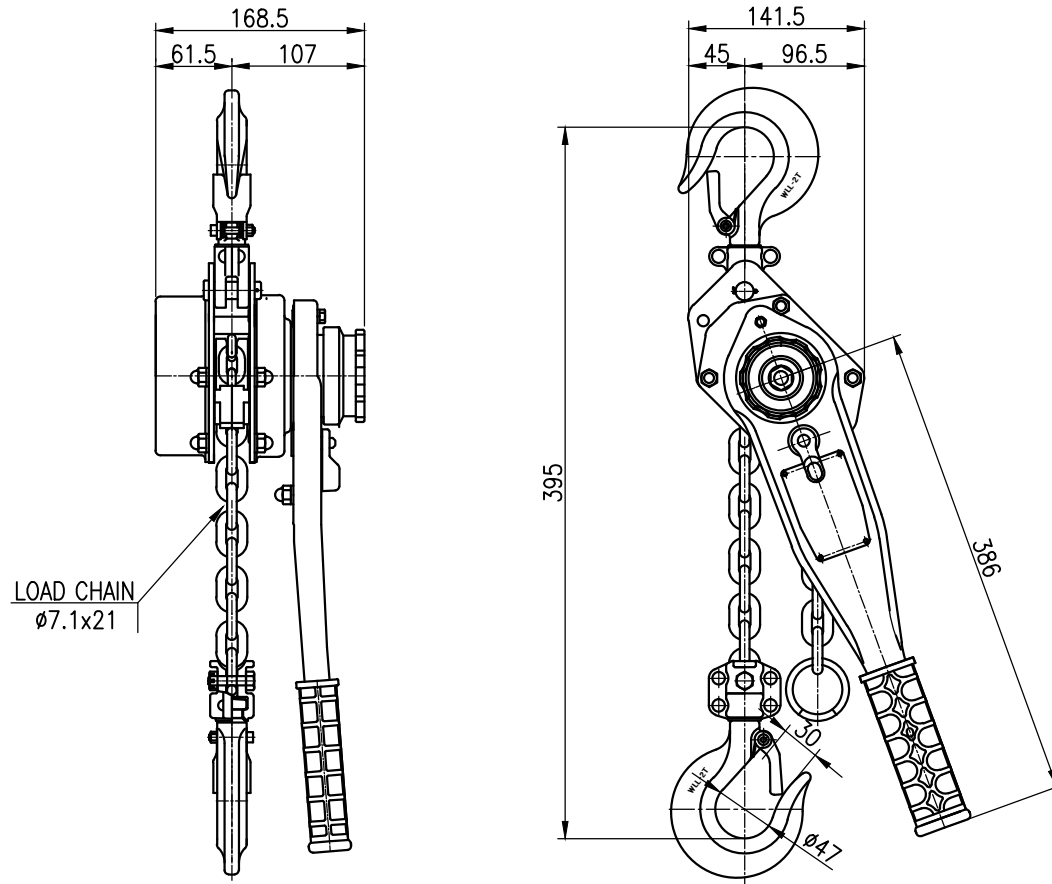


NO	DESCRIPTION	MAT'L	Q'TY	WT(kg)	REMARKS



SPECIFICATION	
HOISTING LOAD	2 TON
TESTING LOAD	2.5 TON
LIFTING HEIGHT	1.5 M
HOISTING	MANUAL
WEIGHT	11 kg
LOAD CHAIN	ø7.1x21

TITLE				PROJECTION	
NDM-2TON LEVER BLOCK					
WORK NO		WORK NAME		SCALE	Q'TY
				1/2	1
DRAWN	CHECKED	REVIEWED	APPROVED	DRAWING NO	
YOO.M.R		LEE. H.J	Y.K	NDS015001	
2016.02.02		2016.02.02	2016.02.02		
<b>DAESAN INoTEC INC</b>					

REV.NO	DATE	REVISION DESCRIPTION	DRAWN	CHECKED	APPROVED