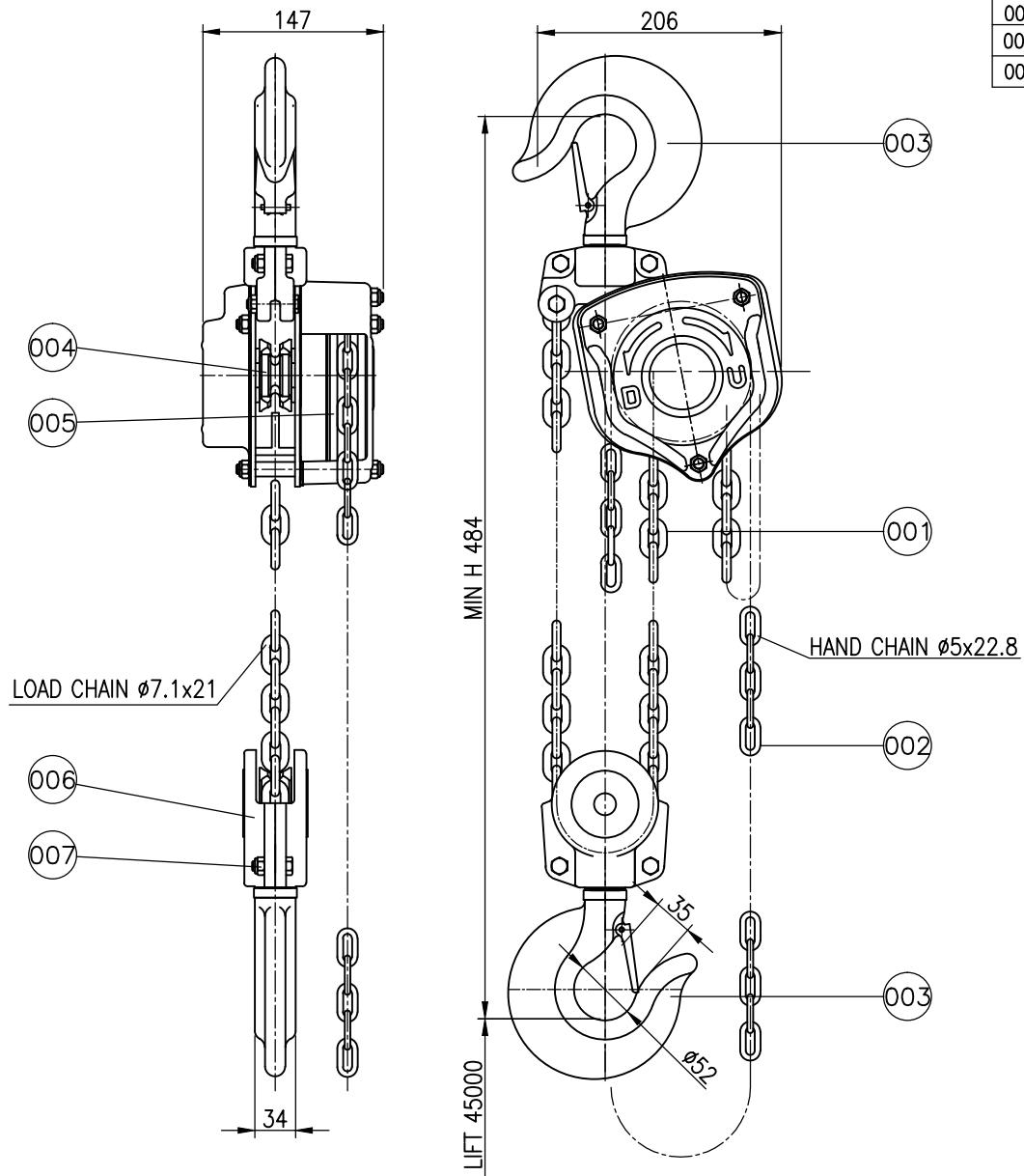


NO	DESCRIPTION	MAT'L	Q'TY	WT(kg)	REMARKS
001	LOAD CHAIN(ELECTROLESS NI PLATING)	MN-B(steel)	6M		SAE15B24
002	HAND CHAIN	SUS316L	5M		
003	HOOK	HBsC4	1		
004	LOAD SHEAVE(ELECTROLESS NI PLATING)	FCD45	1		
005	CHAIN WHEEL (ELECTROLESS NI PLATING)	FCD45	1		
006	HOOK COVER (ELECTROLESS NI PLATING)	FCD45	2		
007	BOLT.N.S/W(ELECTROLESS NI PLATING)	SUS316L	5		



SPECIFICATION	
HOISTING LOAD	3 TON
TESTING LOAD	3.75 TON
LIFTING HEIGHT	3 M
HOISTING	MANUAL
WEIGHT	23 kg
LOAD CHAIN	ø7.1x21

TITLE EXDSN-3TON CHAIN BLOCK				PROJECTION	
WORK NO		WORK NAME			
				SCALE	Q'TY
				1/2	1
DRAWN	CHECKED	REVIEWED	APPROVED	DRAWING NO	
KIM.T.J		LEE. H.J	Y.K	EDSN030001	
2015.02.23		2012.09.20	2012.09.20		

REV.NO	DATE	REVISION DESCRIPTION	DRAWN	CHECKED	APPROVED

DAESAN INoTEC INC