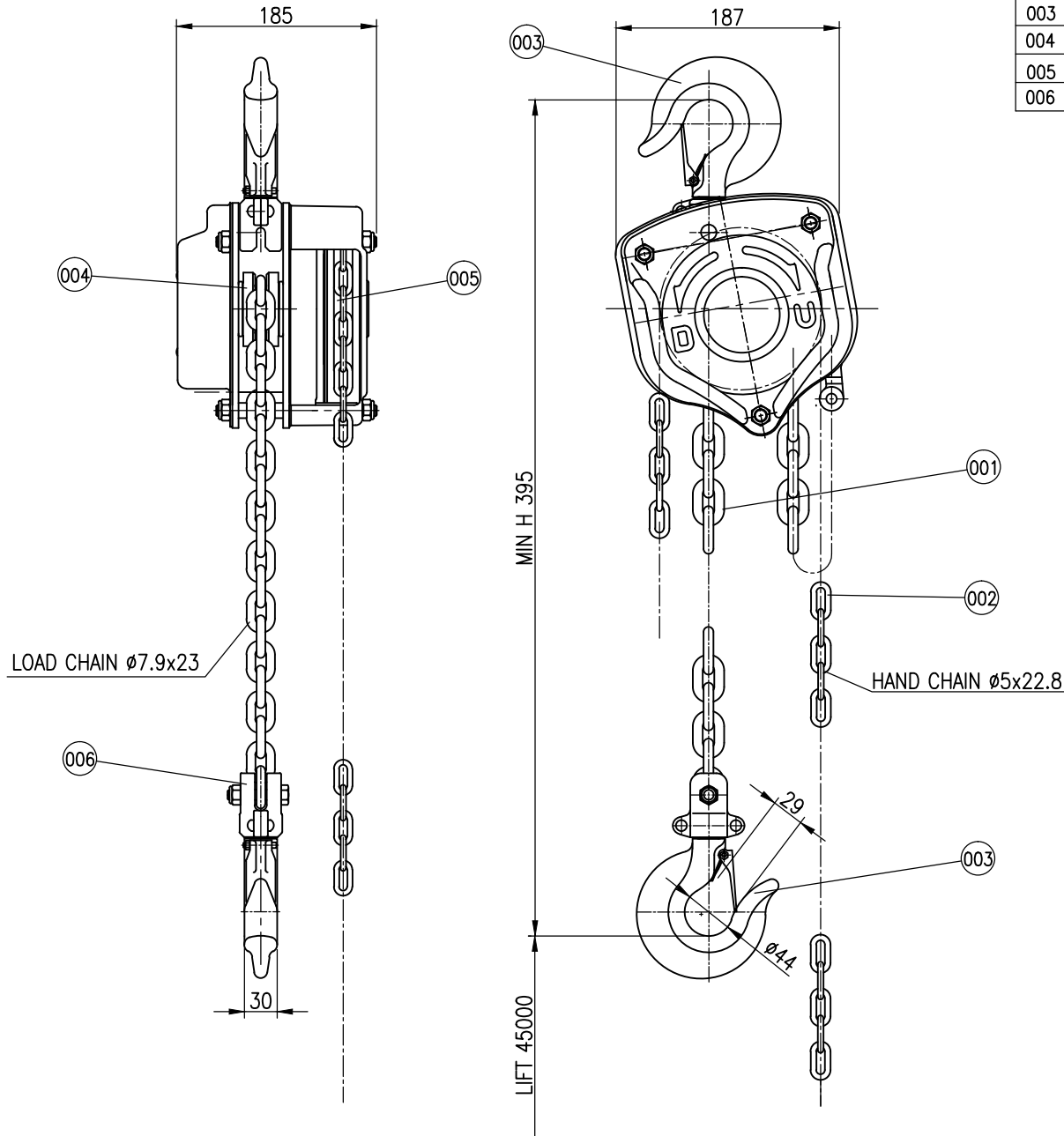


NO	DESCRIPTION	MAT'L	Q'TY	WT(kg)	REMARKS
001	LOAD CHAIN(ELECTROLESS NI PLATING)	MN-B(steel)	6M		
002	HAND CHAIN	SUS316L	5M		
003	HOOK	HBsC4	1		
004	LOAD SHEAVE(ELECTROLESS NI PLATING)	FCD45	1		
005	CHAIN WHEEL (ELECTROLESS NI PLATING)	FCD45	1		
006	HOOK COVER (ELECTROLESS NI PLATING)	ZG 25	2		



SPECIFICATION	
HOISTING LOAD	2 TON
TESTING LOAD	2.5 TON
LIFTING HEIGHT	3 M
HOISTING	MANUAL
WEIGHT	22 kg
LOAD CHAIN	$\phi 7.9 \times 23$

TITLE				PROJECTION	
EXDSN-2TON CHAIN BLOCK					
WORK NO		WORK NAME		SCALE	Q'TY
				1/2	1
DRAWN	CHECKED	REVIEWED	APPROVED	DRAWING NO	
YOO.M.R		LEE. H.J	Y.K	EDSN020001	
2012.05.30		2012.06.08	2012.06.08		
DAESAN INoTEC INC					

REV.NO	DATE	REVISION DESCRIPTION	DRAWN	CHECKED	APPROVED