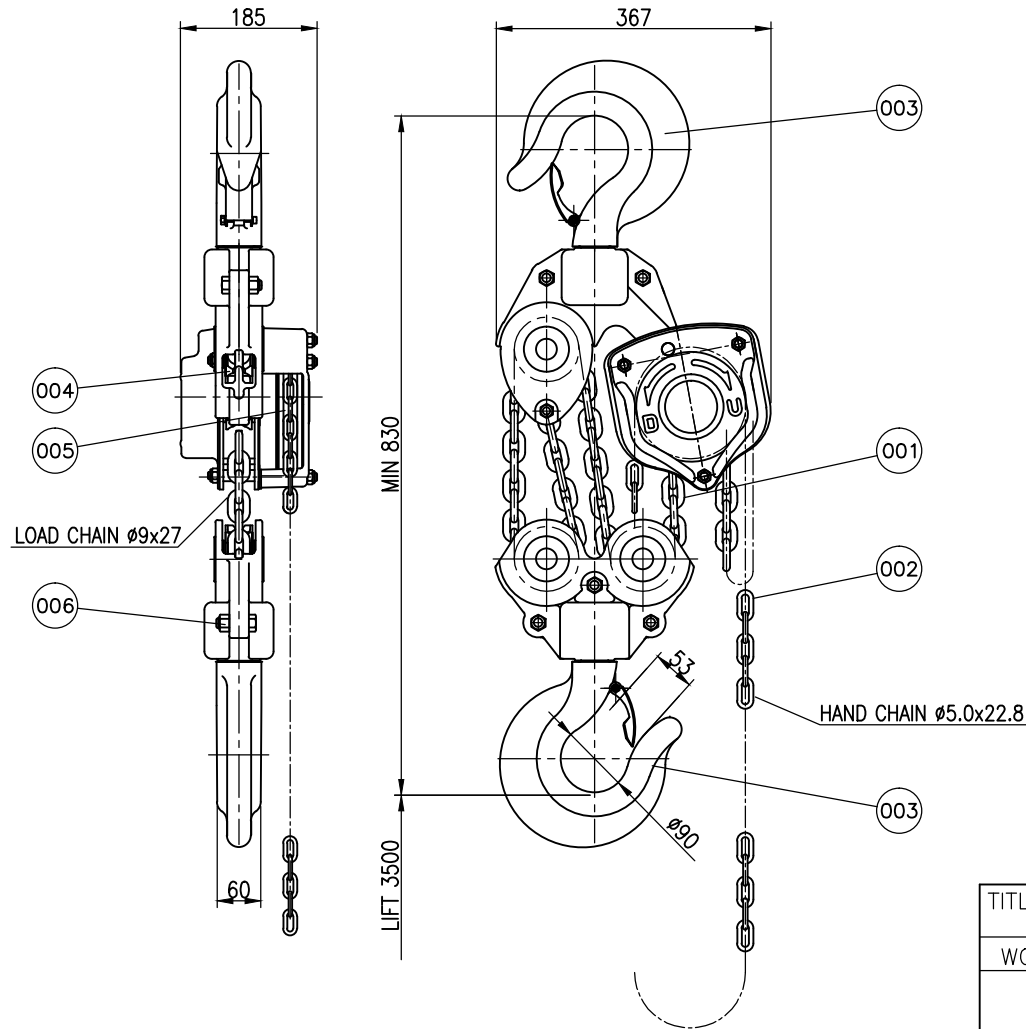


NO	DESCRIPTION	MAT'L	Q'TY	WT(kg)	REMARKS
001	LOAD CHAIN(ELECTROLESS NI PLATING)	MN-B(steel)	14M		
002	HAND CHAIN	SUS316L	6M		
003	HOOK	HBsC4	1		
004	LOAD SHEAVE (ELECTROLESS NI PLATING)	FCD45	1		
005	CHAIN WHEEL (ELECTROLESS NI PLATING)	FCD45	1		
006	HEX BOLT N.S/W	SUS316L	5		



SPECIFICATION	
HOISTING LOAD	10 TON
TESTING LOAD	12.5 TON
LIFTING HEIGHT	3.5 M
HOISTING WEIGHT	MANUAL
LOAD CHAIN	$\phi 9 \times 27$
PULLING EFFORTS	41 KG

TITLE EXDSN-10TON CHAIN BLOCK				PROJECTION	
WORK NO		WORK NAME			
				SCALE	Q'TY
				1/3	1
DRAWN	CHECKED	REVIEWED	APPROVED	DRAWING NO	
KIM.T.J		LEE. H.J	Y. K	EDSN100001	
2015.02.23		2012.10.09	2012.10.09		
DAESAN INoTEC INC					

REV.NO	DATE	REVISION DESCRIPTION	DRAWN	CHECKED	APPROVED