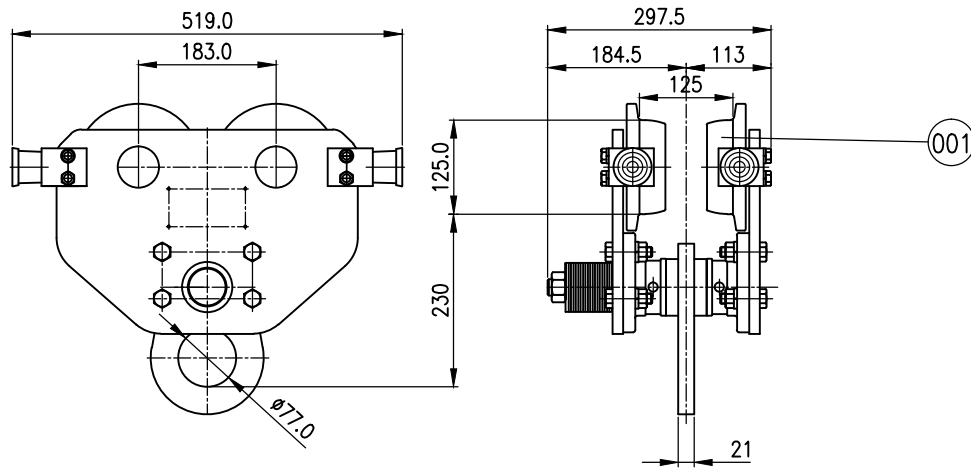


NO	DESCRIPTION	MAT'L	Q'TY	WT(kg)	REMARKS
001	PLAIN ROLLER	HBsC4	4		



SPECIFICATION	
HOISTING LOAD	5 TON
TESTING LOAD	6.25 TON
TRAVERSING	MANUAL
WEIGHT	48 kg
I-BEAM SIZE	125-175

TITLE EX DP-5T PLAIN TROLLEY				PROJECTION	
WORK NO		WORK NAME			
				SCALE	Q'TY
				1/4	1
DRAWN	CHECKED	REVIEWED	APPROVED	DRAWING NO	
YOO.M.R	-	LEE. H.J	Y. K	EXDG0501	
2013.07.23	-	2013.07.23	2013.07.23		
DAESAN INoTEC INC					

REV.NO	DATE	REVISION DESCRIPTION	DRAWN	CHECKED	APPROVED