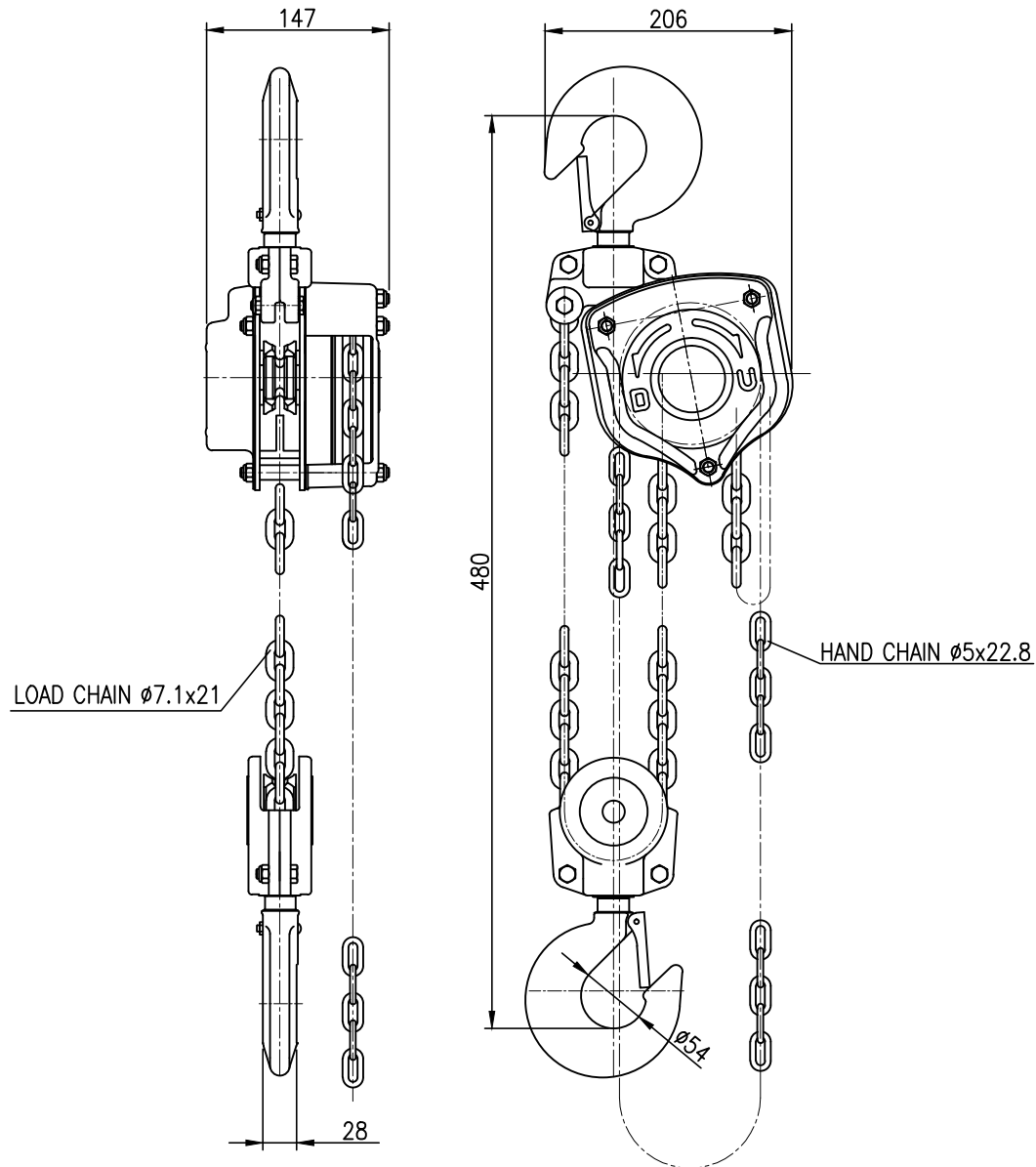


| NO | DESCRIPTION | MAT'L | Q'TY | WT(kg) | REMARKS |
|----|-------------|-------|------|--------|---------|
| | | | | | |



| SPECIFICATION | |
|----------------|----------------------|
| HOISTING LOAD | 3 TON |
| TESTING LOAD | 3.75 TON |
| LIFTING HEIGHT | 3 M |
| HOISTING | MANUAL |
| WEIGHT | 23 kg |
| LOAD CHAIN | $\phi 7.1 \times 21$ |

| TITLE | | | | PROJECTION | |
|----------------------|-----------|------------|------------|------------|------|
| DSN-3TON CHAIN BLOCK | | | | | |
| WORK NO | WORK NAME | | | | |
| | | | | SCALE | Q'TY |
| | | | | 1/2 | 1 |
| DRAWN | CHECKED | REVIEWED | APPROVED | DRAWING NO | |
| YOO.M.R | | LEE. H.J | Y.K | DSN03001 | |
| 2012.05.30 | | 2012.09.20 | 2012.09.20 | | |

| REV.NO | DATE | REVISION DESCRIPTION | DRAWN | CHECKED | APPROVED |
|--------|------|----------------------|-------|---------|----------|
| | | | | | |

DAESAN INoTEC INC