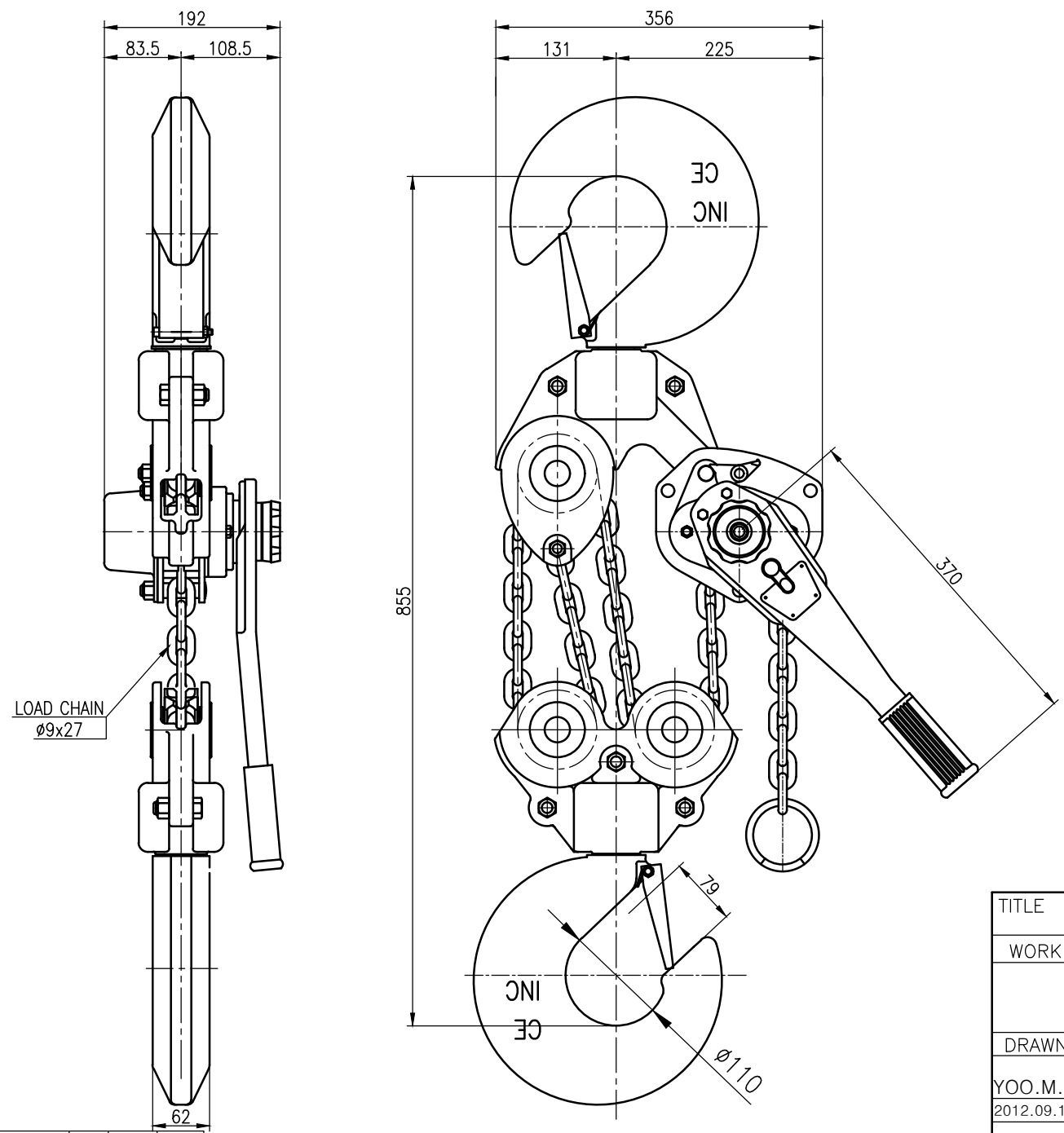


NO	DESCRIPTION	MAT'L	Q'TY	WT(kg)	REMARKS



SPECIFICATION	
HOISTING LOAD	12 TON
TESTING LOAD	15 TON
LIFTING HEIGHT	1.5 M
HOISTING	MANUAL
WEIGHT	73 kg
LOAD CHAIN	ø9x27
PULLING EFFORTS	39 KG

TITLE				D1-12TON LEVER BLOCK		PROJECTION	
WORK NO		WORK NAME					
						SCALE	Q'TY
						1/2	1
DRAWN	CHECKED	REVIEWED	APPROVED	DRAWING NO			
YOO.M.R		LEE. H.J	Y. K	DSD112001			
2012.09.11		2012.09.11	2012.09.11				

DAESAN INoTEC INC

REV.NO	DATE	REVISION DESCRIPTION	DRAWN	CHECKED	APPROVED