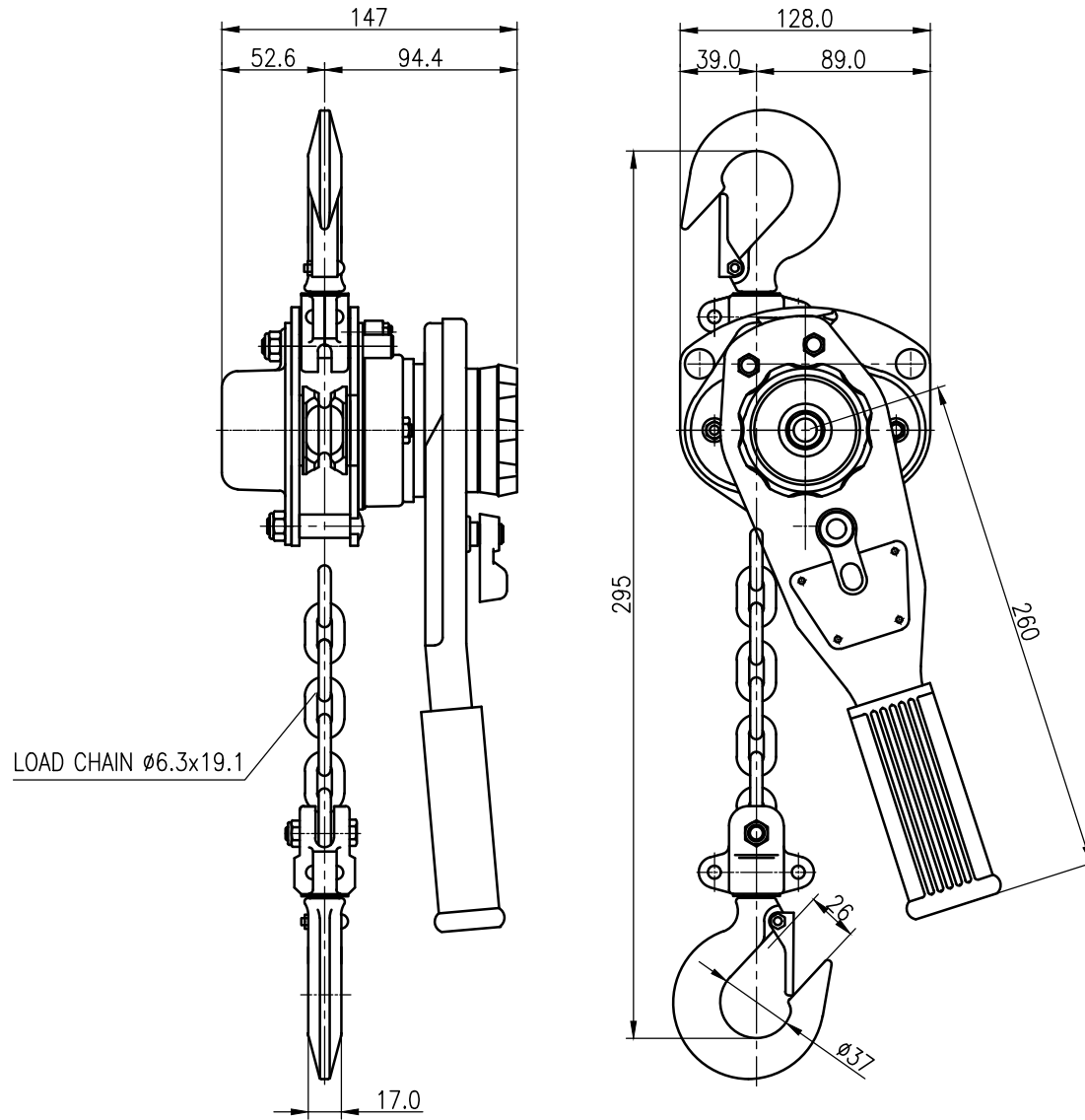


NO	DESCRIPTION	MAT'L	Q'TY	WT(kg)	REMARKS



SPECIFICATION	
HOISTING LOAD	0.75 TON
TESTING LOAD	1.125 TON
LIFTING HEIGHT	1.5 M
HOISTING	MANUAL
WEIGHT	9 kg
LOAD CHAIN	6.3x19.1

REV.NO	DATE	REVISION DESCRIPTION	DRAWN	CHECKED	APPROVED

TITLE D1-0.75TON LEVER BLOCK				PROJECTION	
WORK NO		WORK NAME			
				SCALE	Q'TY
				0.8	1
DRAWN	CHECKED	REVIEWED	APPROVED	DRAWING NO	
YOO.M.R		LEE. H.J	Y.K	DSD100801	
2012.12.06		2012.12.06	2012.12.06		
DAESAN INOTEC INC					