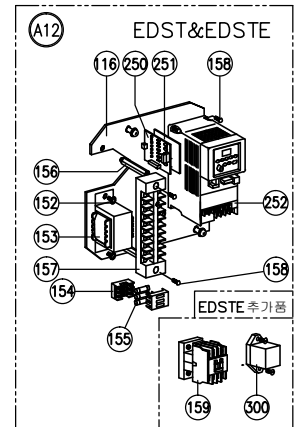
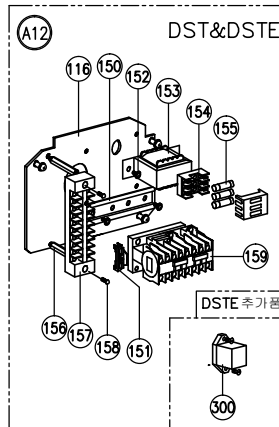
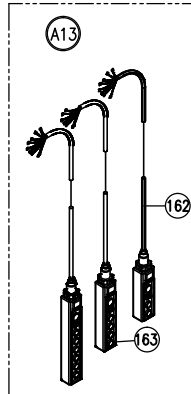
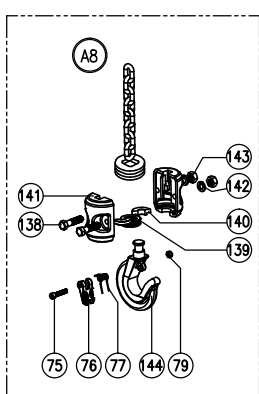
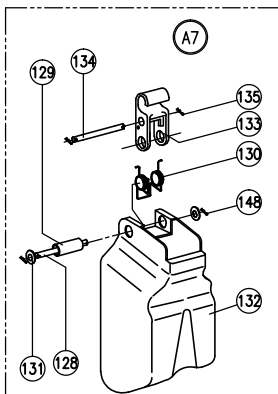
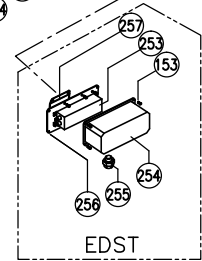
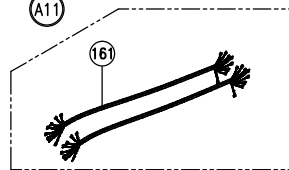
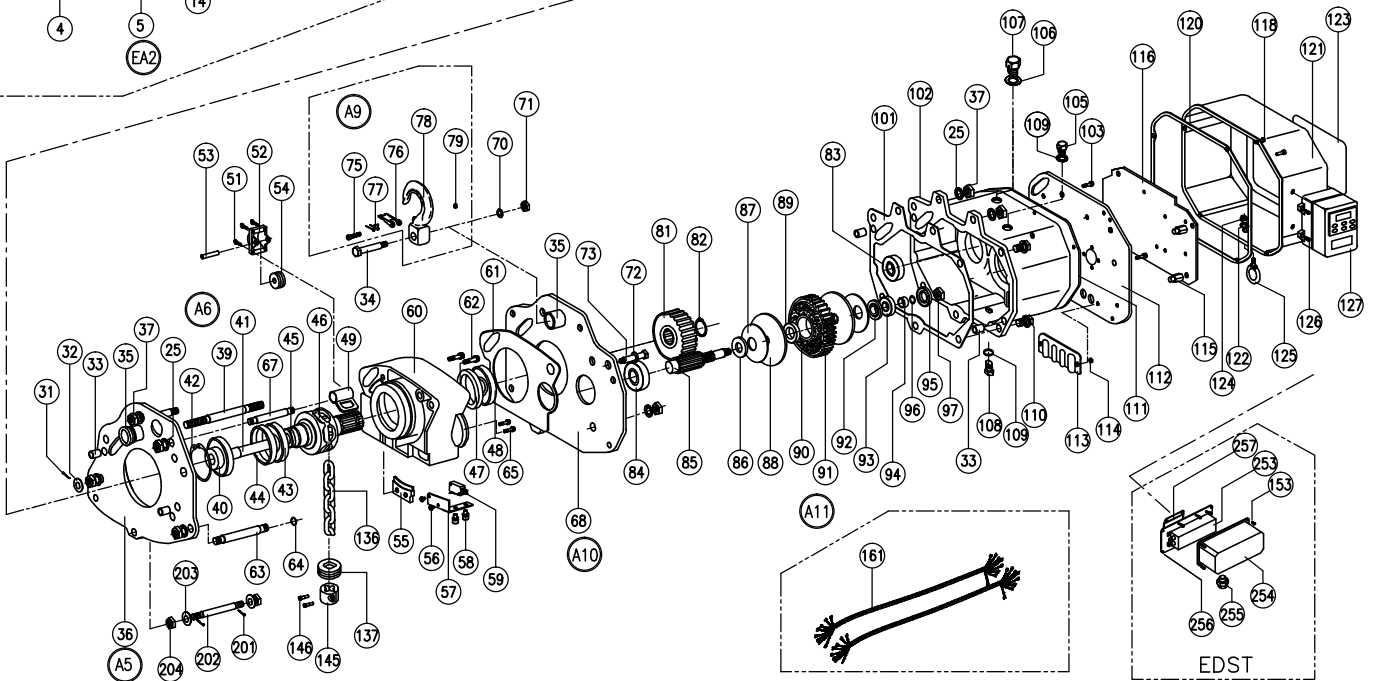
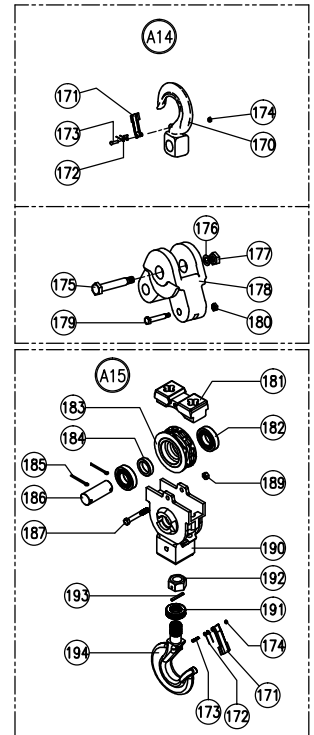
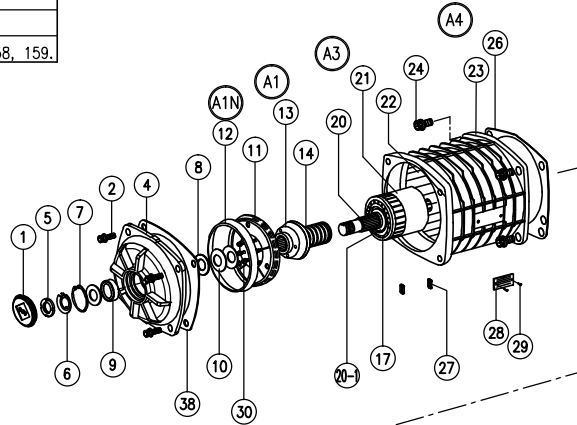
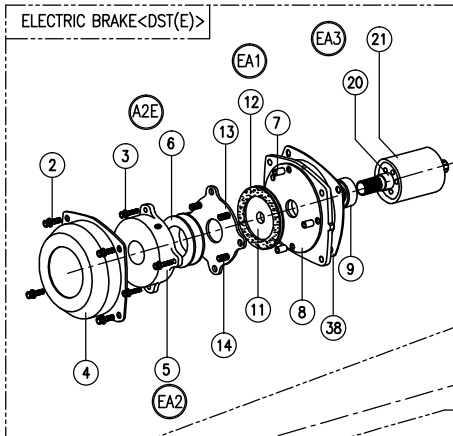


DST,DST(E),EDST,EDST(E) CHAIN HOIST

ASS'Y NO	ASSEMBLED PARTS	ASS'Y NO	ASSEMBLED PARTS
A1	A1N, 13, 30.	A12(EDST)	116, 152, 153, 154, 155, 156, 157, 158, 250, 251, 252.
A1N	11, 12.	A13	162, 163.
A3	17, 20, 21, 20-1.	A14	170, 171, 172, 173, 174.
A4	22, 23, 27, 28, 29.	A15	171, 172, 173, 174, 181, 182, 183, 184, 185, 186, 187, 189, 190, 191, 192, 193, 194
A5	35, 36.	EA1	11, 12 <DST(E)>
A6	40, 41.	EA2	A2E, 5 <DST(E)>
A7	128, 129, 130, 131, 132, 133, 134, 135, 148.	A2E	6 <DST(E)>
A8	75, 76, 77, 79, 138, 139, 140, 141, 142, 143, 144.	EA3	20, 21 <DST(E)>
A9	75, 76, 77, 78, 79.		
A10	35, 68.		
A11	90, 91.		
A12(DST)	116, 150, 151, 152, 153, 154, 155, 156, 157, 158, 159.		



DST(E). EDST(E)-0.5S PART LIST

NO	CODE NO	DESCRIPTION	Q'TY	REMARK	NO	CODE NO	DESCRIPTION	Q'TY	REMARK
1	DST010S704	PACKING CAP	1		56	DSPTS04100	TAP SCREW	2	M4x10
2	DSPW082500	WRENCH BOLT S/W	4	M8x25	57	DST010S410	M/S BRACKET	1	
4	DST010S702	BRAKE COVER	1		58	DSPM061500	MACHIN SCREW S/W	2	M6x15
5	DSPLAN0400	LOCK NUT	1	AN04	59	DST010S411	LIMIT SWITCH	1	
6	DSPLAW0400	LOCK WASHER	1	AW04	60	DST050S400	CHAIN GUIDE	1	
7	DSPSR47000	SNAP RING	1	R47	61	DST010S404	PACKING CHAIN GUIDE	1	
8	DSPP213303	PLAIN WASHER	2	21 33 4	62	DSPW084500	WRENCH BOLT S/W	2	M8x45
9	DSPB6204DD	BALL BEARING	1	6204DD	63	DST010S123	STAY BOLT A	1	
10	DST010S703	CLUTCH SPRING	2		64	DSPOP10000	ORING	1	P10
11	DST010S708	BRAKE DISC	1		65	DSPW052500	WRENCH BOLT S/W	2	M5x25
12	DST010S707	LINING	1		67	DST010S124	STAY BOLT B	2	
13	DST010S700	MOVING CORE	1		68	DST010S300	GEAR SIDE PLATE	1	
14	DST050S705	BRAKE SPRING	1		70	DSPS120000	SPRING WASHER	1	M12
17	DST010S505	MAGNETIC CORE	1		71	DSPU120000	U-NUT	1	M12
20	DST010S50A	ROTOR SHAFT	1		72	DST010S215	PACKING STOPPER BOLT	1	
20-1	DST010S201	PLAIN WASHER	1		73	DST010S301	STOPPER BOLT	1	
21	DST050S501	ROTOR	1		75	DSPW042500	HEX WRENCH BOLT	2	M4x25
22	DST050S602	STATOR	1		76	DSN051414	SAFTY LATCH	2	DSN-0.5T
23	DST010S600	MOTOR CASE	1		77	DSN011413	SAFTY LATCH SPRING	2	DSN-1T
24	DSPW102000	WRENCH BOLT S/W	4	M10x20	78	DST050S01A	TOP HOOK	1	
25	DSPS100000	SPRING WASHER	9	M10	79	DSPU040000	U-NUT	2	M4
26	DST010S601	PACKING MOTOR CASE	1		81	DST010S305	4th GEAR	1	
27	DSPSP08120	SPRING PIN	2	ø8x12	82	DSPSS40000	SNAP RING	1	S40
28	DST010S027	MOTOR NAME PLATE	1		83	DSPB6301ZZ	BALL BEARING	1	6301ZZ
29	DSPRI03100	RIVET	2	ø3x10	84	DSPB6204ZZ	BALL BEARING	1	6204ZZ
30	DSPW061500	WRENCH BOLT S/W	6	M6x15	85	DST010S203	3RD GEAR	1	
31	DSPCR10000	R PIN	2	10 \bar{x}	86	DST010S208	COLLAR D	1	
32	DSPP080000	PLAIN WASHER	2	M8	87	DST010S207	CLUTCH SPRING	2	
33	DSPSP10120	SPRING PIN	4	ø10x12	88	DST010S204	CLUTCH DISC	2	
34	DST010S302	TOP HOOK PIN	1		89	DST010S206	GUIDE COLLAR	1	
35	DST010S121	SUPPORT BOSS	2		90	DST010S202	CLUTCH LINING	2	
36	DST010S120	MOTOR SIDE PLATE	1		91	DST010S201	2nd GEAR	1	
37	DSPN100000	HEX NUT	9	M10	92	DST010S209	COLLAR C	1	
38	DST010S038	PACKING BRAKE COVER	1		93	DSPB6203ZZ	BALL BEARING	1	6203ZZ
39	DST010S904	CHAIN BOX STAY BOLT	1		94	DST010S205	COLLAR A	1	
40	DST010S101	1st GEAR JOINT	1		95	DSP0254008	OIL SEAL	1	25x40x8
41	DST010S100	1st GEAR	1		96	DSPOP12500	ORING	1	P12.5
42	DSPSR80000	SNAP RING	1	R80	97	DSPU120000	U-NUT(PITCH 1.25)	1	M12
43	DSPB6208ZZ	BALL BEARING	2	6208ZZ	101	DST010S211	PACKING GEAR CASE	1	
44	DST010S128	CHAIN GUIDE COLLAR	1		102	DST010S210	GEAR CASE	1	
45	DSP0213208	OIL SEAL	1	21 32 8	103	DSPW061801	HEX WRENCH BOLT S/W	4	M6x18
46	DST050S403	LOAD SHEAVE	1		105	DSPH101500	AIR HOLE BOLT	1	M10x15
47	DSP0456812	OIL SEAL	1	45 68 12	106	DST010S214	PACKING OIL PLUG	1	
48	DSPB6008ZZ	BALL BEARING	1	6008ZZ	107	DST010S212	OIL PLUG	1	
49	DSA010S207	HANGER HOLDING METAL	1		108	DSPH101500	HEX BOLT	2	M10x15
51	DSPW062000	HEX WRENCH BOLT S/W	4	M6x20	109	DSP0257500	ORING	2	ø2.5x7.5
52	DST010S408	ROLLER COVER	1		110	DSPH102000	HEX BOLT S/W	5	M10x20
53	DST010S409	ROLLER PIN	1		111	DST010S111	PACKING BOARD	1	
54	DST050S407	ROLLER	1		112	DST010S110	COMPONENT BOARD	1	
55	DST050S420	STRIPPER	1		113	DST010S014	CORD HOLDER ASS'Y	1	

DST(E). EDST(E)-0.5S PART LIST

NO	CODE NO	DESCRIPTION	Q'TY	REMARK	NO	CODE NO	DESCRIPTION	Q'TY	REMARK
114	DSPN050000	HEX NUT	2	M5	EDST PART				
115	DST010S674	HEX STAY PIN(S)	4		112	EDST01S110	COMPONENT BOARD	1	
116	DST010S112	ELECTRIC EQUIPMENT BOARD	1		116	EDST01S112	ELECTRIC EQUIPMENT BOARD	1	
118	DSPM061200	MACHIN SCREW S/W	8	M6x12	120	EDST01S801	PACKING COMPONENT CASE	1	
120	DST010S801	PACKING COMPONENT CASE	1		121	EDST01S802	ELECTRIC COMPONENT CASE	1	
121	DST010S802	ELECTRIC COMPONENT CASE	1		156	EDSA01S749	HEX STAY PIN	2	
122	DSPO800000	SPRING WASHER	1	M8	250	EDST010250	INTERFACE	1	
123	DST010S123	NAME PLATE	1		251	EDST01S251	INTERFACE BOARD	1	
124	DSPN080000	NUT	1	M8	252	EDST01S252	INVERTER	1	
125	DSPE080000	EYE BOLT	1	M8	253	DST0010253	BRAKING RESISTANCE	1	
126	DSPM051200	MACHIN SCREW S/W	1	M5x12	254	DST0010254	COVER	1	
127	DST010S127	LOAD LIMITER	1		255	DST0010255	CABLE LOCKER	1	
128	DST010S128	CHAIN BOX HANGER PIN	1		256	DST0010256	BASE PLATE	1	
129	DST010S129	STAY PIPE	2		257	DST0010257	BRACKET	1	
130	DST010S130	RETURN SPRING	1		DST(E) PART				
131	DSPP120000	PLAIN WASHER	1	M12	3	DSPW083500	WRENCH BOLT S/W	4	M8x35
132	DST010S021	CHIAN BOX	1		4	DSTE10S004	BRAKE COVER	1	
133	DST010S133	CHAIN BOX HANGER	1		5	DSTE10S015	BRAKE STATOR	1	
134	DST010S134	CHAIN BOX HANGER PIN	1		6	DSTE10S017	BOBIN	1	
135	DSPCR10000	R PIN	2	10 $\bar{\text{a}}$	7	DSTE10S016	STAY PIN	4	
136	DST050S800	LOAD CHAIN	1		8	DSTE10S030	BEARING SUPPORT	1	
137	DST010S013	BUMPER ASS'Y	2		9	DSPB6205DD	BALL BEARING	1	6205DD
138	DSPH062500	WRENCH BOLT	2	M6x25	11	DSTE10S011	BRAKE DISC	1	
139	DSPT511030	THRUST BEARING	1	51103	12	DSTE10S012	LINING	2	
140	DST050S15C	SPLIT RING	2		13	DSTE10S013	MOVING CORE	1	
141	DST050S901	BOTTOM HOOK COVER	2		14	DSTE10S014	BRAKE SPRING	4	
143	DSPU060000	U NUT	2	M6	20	DSTE10S019	ROTOR SHAFT	1	
144	DST050S15A	BOTTOM HOOK	2		21	DSTE10S021	ROTOR	1	
145	DST010S20A	CHAIN STOPPER	2		ASSEMBLY(DST&EDST)				
146	DSPW062500	WRENCH BOLT	2	M6X25	A1	DST010S007	BRAKE ASS'Y	1	
148	DSPCR12000	R PIN	2	12 $\bar{\text{a}}$	A1N	DST010SA1N	BRAKE DISC ASS'Y	1	
150	DST010S150	CHANNEL	1		A3	DST050S005	ROTOR ASS'Y	1	
151	DST010S151	CHANNEL STOPPER	1		A4	DST050S006	MOTOR ASS'Y	1	
152	DSPM040800	MACHINE SCREW S/W P/W	4	M4x8	A4S	DST050SA4S	STATOR ASS'Y	1	
153	DSPTR40VA0	TRANSFORMER	1		A5	DST010S002	MOTOR SIDE PLATE ASS'Y	1	
154	DSPFH3P000	FUSE HOLDER	1		A6	DST010S001	1st GAER ASS'Y	1	
155	DSPF01A000	FUSE	3		A7	DST010S012	CHAIN BOX ASS'Y	1	
156	DSA010S749	HEX STAY PIN(L)	2		A8	DST050S010	BOTTOM HOOK ASS'Y	1	
157	DSTTB10P00	TERMINAL BLOCK	1		A9	DST010S009	TOP HOOK ASS'Y	1	
158	DSPM041200	MACHINE SCREW S/W	2		A10	DST010S003	GEAR SIDE PLATE ASS'Y	1	
159	DSPMA10000	MAGNETIC CONTACTOR	2		A11	DST010S200	2nd GEAR ASS'Y	1	
161	DST010S591	POWER CABLE ASS'Y	1		A12	DST010S011	ELECTRIC ASS'Y(DST)	1	
162	DST010S701	PUSH BUTTON CABLE	1		A12	EDST010S11	ELECTRIC ASS'Y(EDST)	1	
163	DSPPB3P000	PUSH BUTTON	1		A13	DST010S003	PUSH BUTTON ASS'Y	1	
201	DSPCR10000	R PIN	2	10 $\bar{\text{a}}$	ASSEMBLY<DST(E)&EDST(E)>				
202	DSA010S842	CHAIN BOX SUPPORT PIN	1		EA1	DSTE10SEA1	BRAKE DISC ASS'Y	1	
203	DSPP080000	PLAIN WASHER	2	M8	A2E	DSTE10SA2E	BRAKE COIL ASS'Y	1	
204	DSPN080000	HEX NUT	2	M8	EA2	DSTE10SEA2	BRAKE STATOR ASS'Y	1	
					EA3	DSTE05SEA3	ROTOR ASS'Y(0.5S)	1	

DST(E). EDST(E)-1S, 2W PART LIST

NO	CODE NO	DESCRIPTION	Q'TY	REMARK	NO	CODE NO	DESCRIPTION	Q'TY	REMARK
1	DST010S704	PACKING CAP	1		62	DSPW084500	WRENCH BOLT S/W	2	M8x45
2	DSPW082500	WRENCH BOLT S/W	4	M8x25	63	DST010S123	STAY BOLT A	1	
4	DST010S702	BRAKE COVER	1		64	DSP0P10000	ORING	1	P10
5	DSPLAN0400	LOCK NUT	1	AN04	65	DSPW052500	WRENCH BOLT S/W	2	M5x25
6	DSPLAW0400	LOCK WASHER	1	AW04	67	DST010S124	STAY BOLT B	2	
7	DSPSR47000	SNAP RING	1	R47	68	DST010S300	GEAR SIDE PLATE	1	
8	DSPP213303	PLAIN WASHER	2	21 33 4	70	DSPS120000	SPRING WASHER	1	M12
9	DSPB6204DD	BALL BEARING	1	6204DD	71	DSPU120000	U-NUT	1	M12
10	DST010S703	CLUTCH SPRING	2		72	DST010S215	PACKING STOPPER BOLT	1	
11	DST010S708	BRAKE DISC	1		73	DST010S301	STOPPER BOLT	1	
12	DST010S707	LINING	1		75	DSPW063000	HEX WRENCH BOLT	2	M6x30
13	DST010S700	MOVING CORE	1		76	DST010S15G	SAFTY LATCH	2	
14	DST010S705	BRAKE SPRING	1		77	DST010S15H	SAFTY LATCH SPRING	2	
17	DST010S505	MAGNETIC CORE	1		78	DST010S01A	TOP HOOK	1	
20	DST010S500	ROTOR SHAFT	1		79	DSPU060000	U-NUT	2	M6
20-1	DST010S201	PLAIN WASHER	1		81	DST010S305	4th GEAR	1	
21	DST010S501	ROTOR	1		82	DSPSS40000	SNAP RING	1	S40
22	DST010S602	STATOR	1		83	DSPB6301ZZ	BALL BEARING	1	6301ZZ
23	DST010S600	MOTOR CASE	1		84	DSPB6204ZZ	BALL BEARING	1	6204ZZ
24	DSPW102000	WRENCH BOLT S/W	4	M10x20	85	DST010S203	3RD GEAR	1	
25	DSPS100000	SPRING WASHER	9	M10	86	DST010S208	COLLAR D	1	
26	DST010S601	PACKING MOTOR CASE	1		87	DST010S207	CLUTCH SPRING	2	
27	DSPSP08120	SPRING PIN	2	ø8x12	88	DST010S204	CLUTCH DISC	2	
28	DST010S027	MOTOR NAME PLATE	1		89	DST010S206	GUIDE COLLAR	1	
29	DSPRI03100	RIVET	2	ø3x10	90	DST010S202	CLUTCH LINING	2	
30	DSPW061500	WRENCH BOLT S/W	6	M6x15	91	DST010S201	2nd GEAR	1	
31	DSPCR10000	R PIN	2	10 $\bar{\text{c}}$	92	DST010S209	COLLAR C	1	
32	DSPP080000	PLAIN WASHER	2	M8	93	DSPB6203ZZ	BALL BEARING	1	6203ZZ
33	DSPSP10120	SPRING PIN	4	ø10x12	94	DST010S205	COLLAR A	1	
34	DST010S302	TOP HOOK PIN	1		95	DSP0254008	OIL SEAL	1	25x40x8
35	DST010S121	SUPPORT BOSS	2		96	DSP0P12500	ORING	1	P12.5
36	DST010S120	MOTOR SIDE PLATE	1		97	DSPU120000	U-NUT(PITCH 1.25)	1	M12
37	DSPN100000	HEX NUT	9	M10	101	DST010S211	PACKING GEAR CASE	1	
38	DST010S038	PACKING BRAKE COVER	1		102	DST010S210	GEAR CASE	1	
39	DST010S904	CHAIN BOX STAY BOLT	1		103	DSPW061801	HEX WRENCH BOLT S/W	4	M6x18
40	DST010S101	1st GEAR JOINT	1		105	DSPH101500	AIR HOLE BOLT	1	M10x15
41	DST010S100	1st GEAR	1		106	DST010S214	PACKING OIL PLUG	1	
42	DSPSR80000	SNAP RING	1	R80	107	DST010S212	OIL PLUG	1	
43	DSPB6208ZZ	BALL BEARING	2	6208ZZ	108	DSPH101500	HEX BOLT	2	M10x15
44	DST010S128	CHAIN GUIDE COLLAR	1		109	DSP0257500	ORING	2	ø2.5x7.5
45	DSP0213208	OIL SEAL	1	21 32 8	110	DSPH102000	HEX BOLT S/W	5	M10x20
46	DST010S403	LOAD SHEAVE	1		111	DST010S111	PACKING BOARD	1	
47	DSP0456812	OIL SEAL	1	45 68 12	112	DST010S110	COMPONENT BOARD	1	
48	DSPB6008ZZ	BALL BEARING	1	6008ZZ	113	DST010S014	CORD HOLDER ASS'Y	1	
49	DSA010S207	HANGER HOLDING METAL	1		114	DSPN050000	HEX NUT	2	M5
51	DSPW062000	HEX WRENCH BOLT S/W	4	M6x20	115	DST010S674	HEX STAY PIN(S)	4	
52	DST010S408	ROLLER COVER	1		116	DST010S112	ELECTRIC EQUIPMENT BOARD	1	
53	DST010S409	ROLLER PIN	1		118	DSPM061200	MACHIN SCREW S/W	8	M6x12
54	DST010S407	ROLLER	1		120	DST010S801	PACKING COMPONENT CASE	1	
55	DST010S420	STRIPPER	1		121	DST010S802	ELECTRIC COMPONENT CASE	1	
56	DSPTS04100	TAP SCREW	2	M4x10	122	DSPS080000	SPRING WASHER	1	M8
57	DST010S410	M/S BRACKET	1		123	DST010S123	NAME PLATE	1	
58	DSPM061500	MACHIN SCREW S/W	2	M6x15	124	DSPN080000	NUT	1	M8
59	DST010S411	LIMIT SWITCH	1		125	DSPE080000	EYE BOLT	1	M8
60	DST010S400	CHAIN GUIDE	1		126	DSPM051200	MACHIN SCREW S/W	1	M5x12
61	DST010S404	PACKING CHAIN GUIDE	1		127	DST010S127	LOAD LIMITER	1	

DST(E). EDST(E)-1S, 2W PART LIST

NO	CODE NO	DESCRIPTION	Q'TY	REMARK	NO	CODE NO	DESCRIPTION	Q'TY	REMARK
128	DST010S128	CHAIN BOX HANGER PIN	1		194	DSA020W15A	BOTTOM HOOK	1	
129	DST010S129	STAY PIPE	2		201	DSPCR10000	R PIN	2	10 ^㉔
130	DST010S130	RETURN SPRING	1		202	DSA010S842	CHAIN BOX SUPPORT PIN	1	
131	DSPP120000	PLAIN WASHER	1	M12	203	DSPP080000	PLAIN WASHER	2	M8
132	DST010S021	CHIAN BOX	1		204	DSPN080000	HEX NUT	2	M8
133	DST010S133	CHAIN BOX HANGER	1		EDST PART				
134	DST010S134	CHAIN BOX HANGER PIN	1		112	EDST01S110	COMPONENT BOARD	1	
135	DSPCR10000	R PIN	2	10 ^㉔	116	EDST01S112	ELECTRIC EQUIPMENT BOARD	1	
136	DST010S800	LOAD CHAIN	1		120	EDST01S801	PACKING COMPONENT CASE	1	
137	DST010S013	BUMPER ASS'Y	2		121	EDST01S802	ELECTRIC COMPONENT CASE	1	
138	DSPH083500	HEX BOLT	2	M8x35	156	EDSA01S749	HEX STAY PIN	2	
139	DSPT511040	THRUST BEARING	1	51104	250	EDST010250	INTERFACE	1	
140	DST010S15C	SPLIT RING	2		251	EDST01S251	INTERFACE BOARD	1	
141	DST010S901	BOTTOM HOOK COVER	2		252	EDST01S252	INVERTER	1	
142	DSPS080000	SPRING WASHER	2	M8	253	DST0010253	BRAKING RESISTANCE	1	
143	DSPN080000	HEX NUT	2	M8	254	DST0010254	COVER	1	
144	DST010S15A	BOTTOM HOOK	2		255	DST0010255	CABLE LOCKER	1	
145	DST010S20A	CHAIN STOPPER	2		256	DST0010256	BASE PLATE	1	
146	DSPW062500	WRENCH BOLT	2	M6X25	257	DST0010257	BRACKET	1	
148	DSPCR12000	R PIN	2	12 ^㉔	DST(E) PART				
150	DST010S150	CHANNEL	1		3	DSPW083500	WRENCH BOLT S/W	4	M8x35
151	DST010S151	CHANNEL STOPPER	1		4	DSTE10S004	BRAKE COVER	1	
152	DSPM040800	MACHINE SCREW S/W P/W	4	M4x8	5	DSTE10S015	BRAKE STATOR	1	
153	DSPTR40VA0	TRANSFORMER	1		6	DSTE10S017	BOBIN	1	
154	DSPFH3P000	FUSE HOLDER	1		7	DSTE10S016	STAY PIN	4	
155	DSPF01A000	FUSE	3		8	DSTE10S030	BEARING SUPPORT	1	
156	DSA010S749	HEX STAY PIN(L)	2		9	DSPB6205DD	BALL BEARING	1	6205DD
157	DSTTB10P00	TERMINAL BLOCK	1		11	DSTE10S011	BRAKE DISC	1	
158	DSPM041200	MACHINE SCREW S/W	2		12	DSTE10S012	LINING	2	
159	DSPMA10000	MAGNETIC CONTACTOR	2		13	DSTE10S013	MOVING CORE	1	
161	DST010S591	POWER CABLE ASS'Y	1		14	DSTE10S014	BRAKE SPRING	4	
162	DST010S701	PUSH BUTTON CABLE	1		20	DSTE10S019	ROTOR SHAFT	1	
163	DSPPB3P000	PUSH BUTTON	1		21	DSTE10S021	ROTOR	1	
170	DSA020W01A	TOP HOOK	1		ASSEMBLY(DST&EDST)				
171	DSA020W15E	SAFTY LATCH	2		A1	DST010S007	BRAKE ASS'Y	1	
172	DSA020W15K	SAFTY LATCH SPRING	2		A1N	DST010SA1N	BRAKE DISC ASS'Y	1	
173	DSP0430000	HEX WRENCH BOLT	2	M4x30	A3	DST010S005	ROTOR ASS'Y	1	
174	DSPU040000	U-NUT	2	M4	A4	DST010S006	MOTOR ASS'Y	1	
175	DSA020W01C	CONNECTING BOLT	1		A4S	DST010SA4S	STATOR ASS'Y	1	
176	DSPP200000	PLAIN WASHER	1	M20	A5	DST010S002	MOTOR SIDE PLATE ASS'Y	1	
177	DSPU200000	U-NUT	1	M20	A6	DST010S001	1st GAER ASS'Y	1	
178	DST020W01B	ARM	1		A7	DST010S012	CHAIN BOX ASS'Y	1	
179	DSA020W01F	HEX BOLT	1	M8x42x17	A8	DST010S010	BOTTOM HOOK ASS'Y	1	
180	DSPU080000	U-NUT	1	M8	A9	DST010S009	TOP HOOK ASS'Y	1	
181	DST020W15C	BOTTOM HOOK CHAIN GUIDE	1		A10	DST010S003	GEAR SIDE PLATE ASS'Y	1	
182	DSPNF20400	ROLLER BEARING	2	NF204	A11	DST010S200	2nd GEAR ASS'Y	1	
183	DSA020W15R	IDLE SHEAVE	1		A12	DST010S011	ELECTRIC ASS'Y(DST)	1	
184	DSA020W15I	IDLE SHEAVE COLLAR	1		A12	EDST010S11	ELECTRIC ASS'Y(EDST)	1	
185	DSPCP35530	COTTER PIN	2	φ4x40	A13	DST010S003	PUSH BUTTON ASS'Y	1	
186	DSA020W15D	IDLE SHAVE PIN	1		A14	DST020W009	TOP HOOK ASS'Y - 2W	1	
187	DSPH087600	HEX BOLT	1	M8x70	A15	DST020W010	BOTTOM HOOK ASS'Y - 2W	1	
189	DSPU080000	U NUT	1	M8	ASSEMBLY<DST(E)&EDST(E)>				
190	DSA020W15B	BOTTOM HOOK COVER	1		EA1	DSTE10SEA1	BRAKE DISC ASS'Y	1	
191	DSPT512050	THRUST BEARING	1	51205	A2E	DSTE10SA2E	BRAKE COIL ASS'Y	1	
192	DSA020W15F	BOTTOM HOOK NUT	1	M20	EA2	DSTE10SEA2	BRAKE STATOR ASS'Y	1	
193	DSPSP04300	SPRING PIN	1	φ4x30	EA3	DSTE10SEA3	ROTOR ASS'Y(1S)	1	