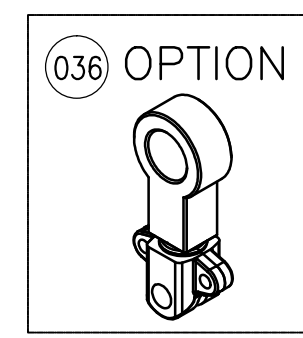


| NO | DESCRIPTION | Q'TY | WT(kg) | REMARKS |
|-----|------------------------|------|--------|---------|
| 008 | BALL BEARING | 4 | | 6203ZZ |
| 010 | SNAP RING | 4 | | S-17 |
| 013 | U NUT | 1 | | M6 |
| 014 | PLAIN ROLLER (HBSC4) | 4 | | |
| A15 | PLAIN SIDE PLATE ASS'Y | 2 | | |
| 016 | NAME PLATE | 1 | | |
| 018 | FIX BOLT | 1 | | M6x50 |
| 019 | BRACKET | 2 | | |
| 020 | STAY | 1 | | |
| 021 | RING | 2 | | |
| 022 | CENTER PALTE | 1 | | |
| 023 | U NUT | 4 | | M10 |
| 024 | HEX BOLT | 4 | | M10x30 |
| 025 | ADJUST WASHER | 16 | | |
| 026 | SIDE WASHER | 1 | | |
| 027 | U NUT | 1 | | M22 |
| 033 | BUMPER RUBBER | 4 | | |
| 034 | BUMPER BRACKET | 4 | | |
| 035 | HEX BOLT S/W | 8 | | M10x20 |
| 036 | CONNECTOR ASS'Y | 1 | | OPTION |



| | | | | | |
|--------------------------|---------|-----------------------|------------|------------|------|
| TITLE | | 1TON EX-PLAIN TROLLEY | | PROJECTION | |
| WORK NO | | WORK NAME | | | |
| | | | | SCALE | Q'TY |
| | | | | N S | 1 |
| DRAWN | CHECKED | REVIEWED | APPROVED | DRAWING NO | |
| J.D | - | LEE | Y. K | DSP010EE01 | |
| 2020.02.20 | - | 2020.02.20 | 2020.02.20 | | |
| DAESAN INoTEC INC | | | | | |

| REV.NO | DATE | REVISION DESCRIPTION | DRAWN | CHECKED | APPROVED |
|--------|------|----------------------|-------|---------|----------|
| | | | | | |