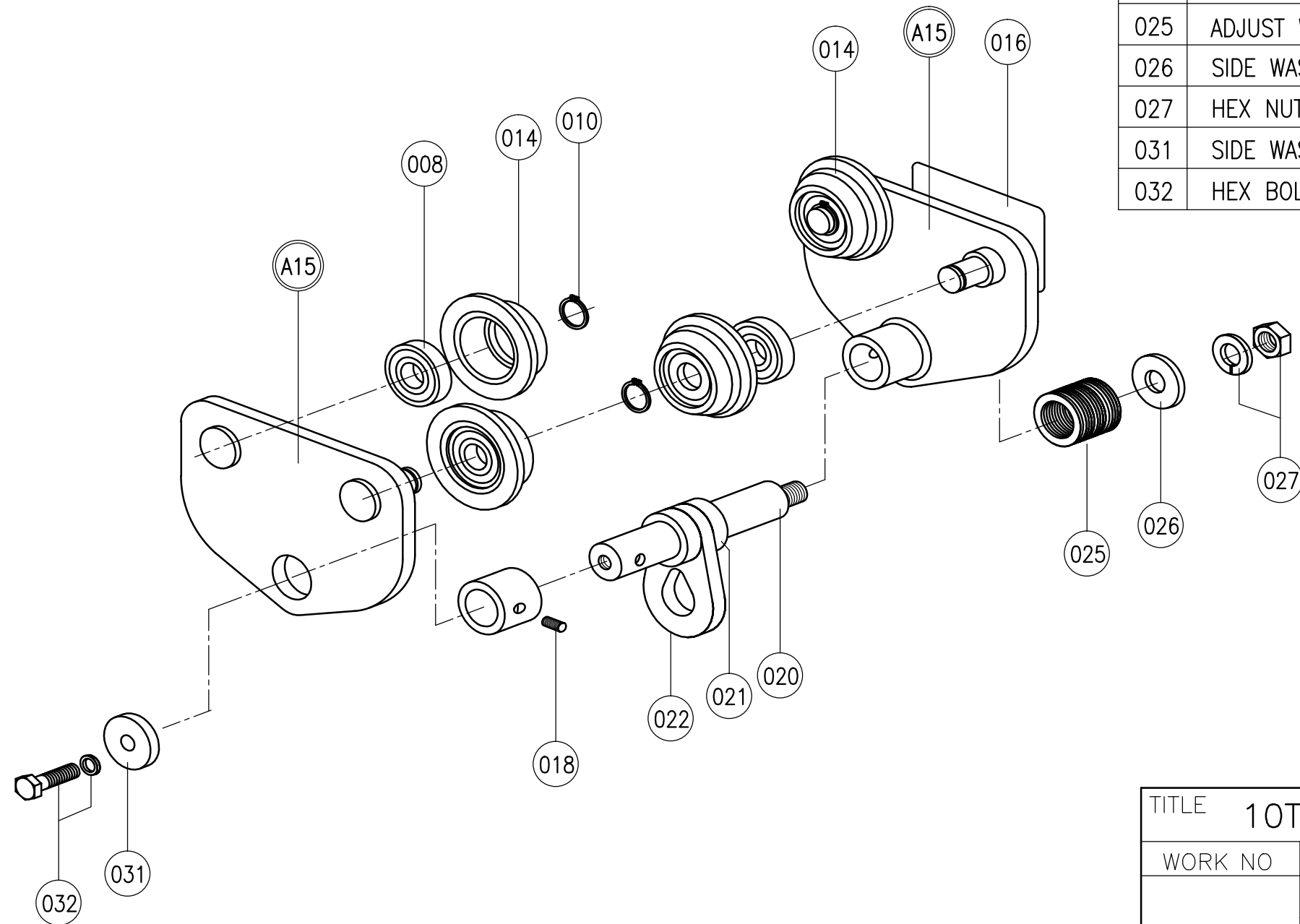


NO	DESCRIPTION	Q' TY	WT (kg)	REMARKS
008	BALL BEARING	4		6206ZZ
010	SNAP RING	4		S-30
014	PLAIN ROLLER	4		
A15	PLAIN SIDE PLATE ASS'Y	2		
016	NAME PLATE	1		
018	SET SCREW	1		M12x25
020	STAY	1		
021	RING	2		
022	CENTER PLATE	1		
025	ADJUST WASHER	16		
026	SIDE WASHER	1		
027	HEX NUT S/W	1		M30
031	SIDE WASHER	1		
032	HEX BOLT S/W	1		M16x30



TITLE 10TON PLAIN TROLLEY				PROJECTION	
WORK NO		WORK NAME			
				SCALE	Q'TY
				N S	1
DRAWN	CHECKED	REVIEWED	APPROVED	DRAWING NO	
H.J	-	LEE	Y. K	DSP100SE01	
2013.01.03	-	2013.01.03	2013.01.03		

REV.NO	DATE	REVISION DESCRIPTION	DRAWN	CHECKED	APPROVED

DAESAN INoTEC INC