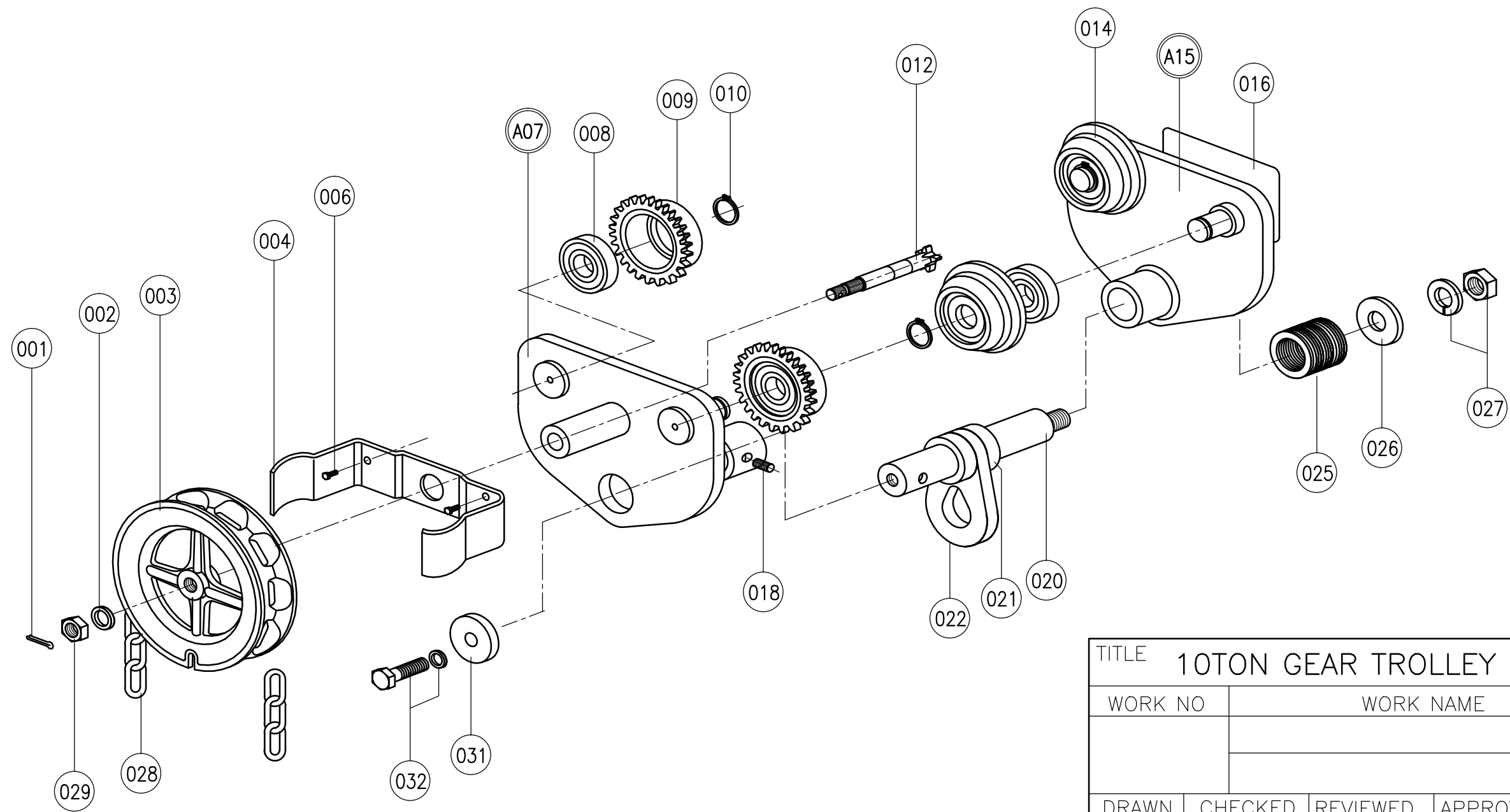


NO	DESCRIPTION	Q' TY	WT (kg)	REMARKS	NO	DESCRIPTION	Q' TY	WT (kg)	REMARKS	NO	DESCRIPTION	Q' TY	WT (kg)	REMARKS
001	COTTER PIN	1			010	SNAP RING	4		S-30	025	ADJUST WASHER	16		
002	PLAIN WASHER	1			012	PINION SHAFT	1			026	SIDE WASHER	1		
003	HANDLE WHEEL	1			014	ROLLER	1		M12x25	027	HEX NUT S/W	1		M30
004	GUIDE PLATE	1			A15	PLAIN SIDE PLATE ASS'Y	1			028	HAND CHAIN	1		
006	WRENCH BOLT S/W	2		M6x15	018	SET SCREW	1			029	PINION NUT	1		
A07	GEAR SIDE PLATE ASS'Y	1			020	STAY	1			031	SIDE WASHER	1		
008	BALL BEARING	4		6206ZZ	021	RING	2			032	HEX BOLT S/W	1		M16x30
009	GEAR TROLLEY	2			022	CENTER PLATE	1							



TITLE 10TON GEAR TROLLEY				PROJECTION	
WORK NO		WORK NAME			
				SCALE	Q'TY
				N S	1
DRAWN	CHECKED	REVIEWED	APPROVED	DRAWING NO	
J.D	-	LEE. H.J	Y. K	DSG100SE01	
2019.10.31	-	2019.10.31	2019.10.31		
DAESAN INoTEC INC					

REV.NO	DATE	REVISION DESCRIPTION	DRAWN	CHECKED	APPROVED